

GasAlert EXTREME

Single-Gas Detector



H₂S, CO, O₂, SO₂, NH₃, PH₃, Cl₂, ClO₂, NO, NO₂, HCN, ETO, O₃






Long-term solution

Compact and affordable, the GasAlert Extreme reliably monitors for any single gas hazard within its wide range of available toxic gas models. With easy on/off operation, this single gas detector offers extended longevity with a field-replaceable battery and sensor. A wide range of tamperproof user options and multi-language display make the GasAlert Extreme an ideal solution for a variety of applications; plus, datalogging is standard on all units. Calibration is a simple automatic procedure and is compatible with BW's MicroDock II automatic test and calibration system.

Standard Package Contents

- Detector complete with specified sensor, stainless steel alligator clip and concussion-proof housing
- Calibration/test cap and hose
- Manual
- Multi-language CD manual

General Specifications

Size	1.1 x 2.0 x 3.75 in. / 2.8 x 5.0 x 9.5 cm
Weight	2.9 oz. / 82 g
Typical battery life	1.5 year battery life (typical) with replaceable 3V battery
Certifications and approvals	<p> Class I, Div. 1, Gr. A, B, C, D Class II, Div. 1, Gr. E, F, G</p> <p> American Bureau of Shipping</p> <p>ATEX: CE  II 1 G Ex ia IIC T4</p> <p>IECEX: Ex ia IIC T4</p> <p>CE: European Conformity</p>
Warranty	Full two year warranty including sensors (One year Cl ₂ , NH ₃ , O ₃ , ETO and ClO ₂ sensors)

5558-12

GasAlert Extreme	Measuring Range	Order Number*	
		Yellow	Black
Ammonia (NH ₃)	0-100 ppm	GAXT-A-DL	GAXT-A-DL-B
Ammonia (NH ₃) (extended range)	0-400 ppm	GAXT-A2-DL	GAXT-A2-DL-B
Carbon monoxide (CO)	0-1000 ppm	GAXT-M-DL	GAXT-M-DL-B
Carbon monoxide (CO-H), H ₂ resistant	0-1000 ppm	GAXT-M2-DL	GAXT-M2-DL-B
Chlorine (Cl ₂)	0-50.0 ppm	GAXT-C-DL	GAXT-C-DL-B
Chlorine dioxide (ClO ₂)	0-1 ppm	GAXT-V-DL	GAXT-V-DL-B
Ethylene oxide (ETO) (C ₂ H ₄ O)	0-100 ppm	GAXT-E-DL	GAXT-E-DL-B
Hydrogen cyanide (HCN)	0-30.0 ppm	GAXT-Z-DL	GAXT-Z-DL-B
Hydrogen sulfide (H ₂ S)	0-100 ppm	GAXT-H-DL	GAXT-H-DL-B
Hydrogen sulfide (H ₂ S) (extended range)	0-500 ppm	GAXT-H-2-DL	GAXT-H-2-DL-B
Nitric oxide (NO)	0-250 ppm	GAXT-N-DL	GAXT-N-DL-B
Nitrogen dioxide (NO ₂)	0-99.9 ppm	GAXT-D-DL	GAXT-D-DL-B
Oxygen (O ₂)	0-30.0%	GAXT-X-DL-2	GAXT-X-DL-B-2
Ozone (O ₃)	0-1 ppm	GAXT-G-DL	GAXT-G-DL-B
Phosphine (PH ₃)	0-5.0 ppm	GAXT-P-DL	GAXT-P-DL-B
Sulfur dioxide (SO ₂)	0-100 ppm	GAXT-S-DL	GAXT-S-DL-B

*Add "-BR" to the end of the order number for INMETRO certified detectors (for Brazil only).

Gas Legend

Cl ₂	Chlorine (C)	NO	Nitric oxide (N)
ClO ₂	Chlorine dioxide (V)	NO ₂	Nitrogen dioxide (D)
CO	Carbon monoxide (M)	O ₂	Oxygen (X)
ETO	Ethylene oxide (C ₂ H ₄ O) (E)	O ₃	Ozone (G)
H ₂ S	Hydrogen sulfide (H)	PH ₃	Phosphine (P)
HCN	Hydrogen cyanide (Z)	SO ₂	Sulfur dioxide (S)
NH ₃	Ammonia (A)		



MicroDock II

Automatic test and calibration station (see MicroDock II section for additional information)



IR DataLink

GA-USB2
USB adaptor

GasAlert Extreme (continued)

Carrying & Protective Accessories	Order Number
Concussion-proof boot with stainless steel alligator-style clip	GA-BALERT
Splash guard filters for use with concussion-proof boot (GA24-BALERT) (kit of 5)	GA-BSPLASH-K
Hard hat clip (non-conductive)	GA-HC-1
Belt clip with screw	GA-CL-1
Neck strap with safety release	GA-NS-1
Short strap (6 in. / 15.2 cm)	GA-LY-1
Extension strap (4 ft. / 1.2 m)	GA-ES-1
Chest harness	GA-CH-2

Sampling & Testing Equipment	Order Number
SamplerPak motorized sampling pack kit	GA-SPAK
Deluxe SamplerPak motorized sampling pump kit with alkaline batteries, rechargeable batteries and battery charger	GA-SPAK-NA
Hard-sided carrying case for motorized sampling pump and/or the detector	SPAK-CC1
Manual aspirator pump kit with probe (1 ft. / 0.3 m)	GA-AS02
Test cap and hose (1 ft. / 0.3 m) replacement (included with detector)	GA-TC-1

Note: For complete list of Sampling & Testing Equipment, see the Sampling Equipment section.

Power Replacements	Order Number
Battery - lithium, 3V	E2829

Datalogging Accessories	Order Number
IR DataLink USB adaptor	GA-USB2



Concussion-Proof Boot
GA-BALERT



Short Strap
GA-LY-1



Neck strap
GA-NS-1



Test Cap Replacement
GA-TC-1



Splash Guard Filters
GA-BSPLASH-K
For concussion-proof boot

GasAlert Extreme (continued)

MicroDock II

Order Number

MicroDock II Automated Calibration and Testing Station (not compatible with ClO₂ or O₃):

- Base station plus GasAlert Extreme docking module
- GasAlert Extreme docking module

DOCK2-2-1D-00-G

DOCK2-0-1D-00-G

For complete MicroDock II system configuration information, see MicroDock II section.

Replacement Sensor Screens

Order Number

Replacement sensor screens with gasket (kit of 10)

GAXT-SS

Replacement Sensors

Order Number

Replacement ammonia (NH₃) sensor*

SR-A04

Replacement ammonia (NH₃) sensor, extended range*

SR-A204

Replacement carbon monoxide (CO) sensor

SR-M04-SC

Replacement carbon monoxide (CO-H) sensor, H₂ resistant

PS-RM04H

Replacement chlorine (Cl₂) sensor*

PS-RC10

Replacement chlorine dioxide (ClO₂) sensor*

SR-V04

Replacement ethylene oxide (ETO) sensor*

SR-E04

Replacement hydrogen cyanide (HCN) sensor

PS-RZ10

Replacement hydrogen sulfide (H₂S) sensor

PS-RH04S

Replacement nitric oxide (NO) sensor

SR-N04

Replacement nitrogen dioxide (NO₂) sensor

PS-RD04

Replacement oxygen (O₂) sensor

SR-X10-C1

For use with GAXT-X-DL-2 and GA-XT-DL-B-2 models.

Replacement ozone (O₃) sensor*

SR-G04

Replacement phosphine (PH₃) sensor

SR-P04

Replacement sulfur dioxide (SO₂) sensor

PS-RS04

Note: All sensors come with a 2 year warranty unless marked with an asterisk (), denoting 1 year warranty.*

Calibration & Testing Equipment

For calibration and testing equipment for this product, please see pages 86-89.



SamplerPak Kits

Kits include motorized sampling pump, batteries and battery charger (if specified). See SamplerPak section for kit contents, accessories and spares; detector sold separately.



Manual Aspirator Pump

GA-AS02

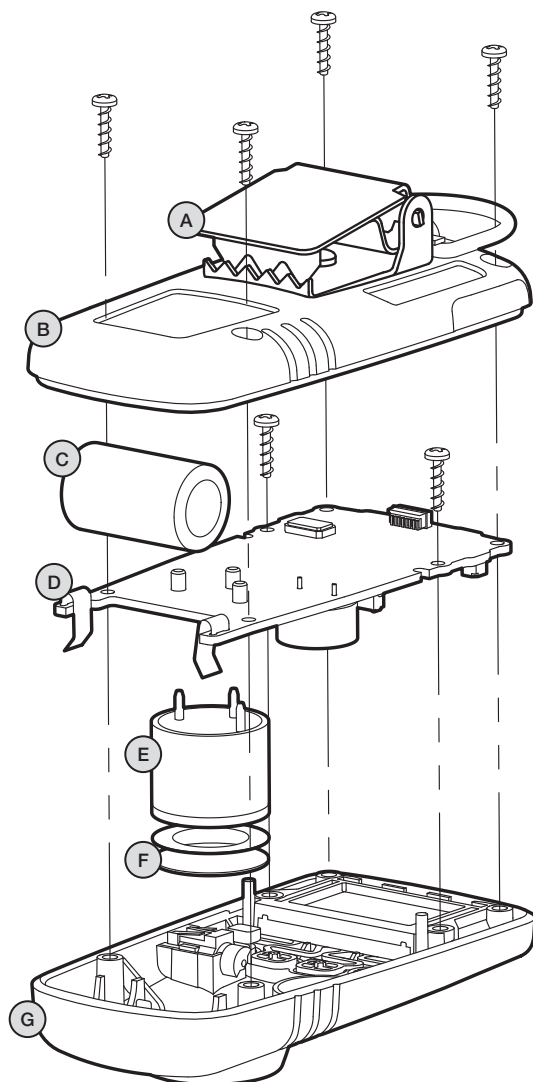
Complete with probe, hose, aspirator pump and adaptor cap



Sensor Screens

GAXT-SS

GasAlert Extreme (continued)



Note: Please refer to the instrument's documentation (shipped with the product or available at www.gasmonitors.com) for complete instructions on common service procedures. Improper servicing or maintenance may affect warranty eligibility. Honeywell assumes no liability for damages resulting from improper servicing or maintenance.

GasAlert Extreme (continued)

Legend	Service Parts	Order Number
B	Replacement back enclosure (yellow) with screws	GAXT-BC1
	Replacement back enclosure (black) with screws	GAXT-BC1B
G	Replacement front enclosure (yellow)	GAXT-FC1
	Replacement front enclosure (black)	GAXT-FC1B
A	Replacement alligator-style clip with screw (stainless steel)	GA-AG-2
D	Replacement PCB, ammonia (NH ₃)	GAXT-A-DL-PCB1
	Replacement PCB, ammonia (NH ₃), extended range, datalogging version	GAXT-A2-DL-PCB1
	Replacement PCB, carbon monoxide (CO)	GAXT-M-DL-PCB1
	Replacement PCB, carbon monoxide (CO-H), H ₂ resistant	GAXT-M2-DL-PCB1
	Replacement PCB, chlorine (Cl ₂)	GAXT-C-DL-PCB1
	Replacement PCB, chlorine dioxide (ClO ₂)	GAXT-V-DL-PCB1
	Replacement PCB, ethylene oxide (ETO)	GAXT-E-DL-PCB1
	Replacement PCB, hydrogen cyanide (HCN)	GAXT-Z-DL-PCB1
	Replacement PCB, hydrogen sulfide (H ₂ S)	GAXT-H-DL-PCB1
	Replacement PCB, hydrogen sulfide (H ₂ S), extended range	GAXT-H-2-DL-PCB1
	Replacement PCB, nitric oxide (NO)	GAXT-N-DL-PCB1
	Replacement PCB, nitrogen dioxide (NO ₂)	GAXT-D-DL-PCB1
	Replacement PCB, oxygen (O ₂)	GAXT-X-DL-PCB1
	Replacement PCB, sulfur dioxide (SO ₂)	GAXT-S-DL-PCB1
	C	Replacement battery - lithium, 3V
Replacement bubble label, hydrogen sulfide (H ₂ S)		GAXT-H-BLABEL
Replacement LCD holder with light pipe		GAXT-HLCD
Replacement LCD		GAXT-LCD

How to Replace the Battery

1. With detector OFF, use No. 1 Phillips screwdriver to remove 4 screws from back enclosure (B)
2. Lift back enclosure (B) straight up
3. Lift battery (C) straight up
4. Insert new battery (C)
5. Replace back enclosure (B)
6. Replace 4 screws in back enclosure (B) and hand-tighten until firm

How to Replace the Sensor

1. With detector OFF, use No. 1 Phillips screwdriver to remove 4 screws from back enclosure (B)
2. Lift back enclosure (B) straight up
3. Use No. 1 Phillips screwdriver to remove 2 screws from the back of the PCB (D)
4. Lift PCB (D) together with battery (C) and sensor (E) straight up
5. Remove sensor (E) from PCB (D) by pulling straight up
6. Insert new sensor (E) into PCB (D)
7. Replace PCB (D) and 2 screws and hand-tighten until firm
8. Replace back enclosure (B)
9. Replace 4 screws in back enclosure (B) and hand-tighten until firm

How to Replace the Sensor Screen

1. With detector OFF, use No. 1 Phillips screwdriver to remove 4 screws from back enclosure (B)
2. Lift back enclosure (B) straight up
3. Use No. 1 Phillips screwdriver to remove 2 screws from the back of the PCB (D)
4. Lift PCB (D) together with battery (C) and sensor (E) straight up
5. Remove sensor screen (F) from front enclosure (G) by pulling straight up
6. Insert new sensor screen (F) into front enclosure (G)
7. Replace board (C) and 2 screws and hand-tighten until firm
8. Replace back enclosure (B)
9. Replace 4 screws in back enclosure (B) and hand-tighten until firm

Note: Please refer to the instrument's documentation (shipped with the product or available at www.gasmonitors.com) for complete instructions on common service procedures. Improper servicing or maintenance may affect warranty eligibility. Honeywell assumes no liability for damages resulting from improper servicing or maintenance.



Thank you for reading this data sheet.

For pricing or for further information, please contact us at our UK Office, using the details below.



UK Office

Keison Products,

P.O. Box 2124, Chelmsford, Essex, CM1 3UP, England.

Tel: +44 (0)330 088 0560

Fax: +44 (0)1245 808399

Email: sales@keison.co.uk

Please note - Product designs and specifications are subject to change without notice. The user is responsible for determining the suitability of this product.