

BW TECHNOLOGIES BY HONEYWELL

GasAlertMicro 5/PID/IR Battery Charger Instruction Sheet

Introduction

The GasAlertMicro 5/PID/IR Battery Charger (“the charger”) charges the GasAlertMicro 5, GasAlertMicro 5 PID, and the GasAlertMicro 5 IR rechargeable battery packs.

Standard GasAlertMicro 5/PID/IR Battery Charger kit includes:

- GasAlertMicro 5/PID/IR Battery Charger unit
- Universal power adapter
- Power cord
- Wall mounting bracket
- Instruction sheet

Table 1. Order Number




Model No.	Description	Qty
M5-C01*	Cradle charger	1

*Add suffix (-UK) for United Kingdom mains plug, (-EU) for European mains plug, (-AU) for Australian mains plug.

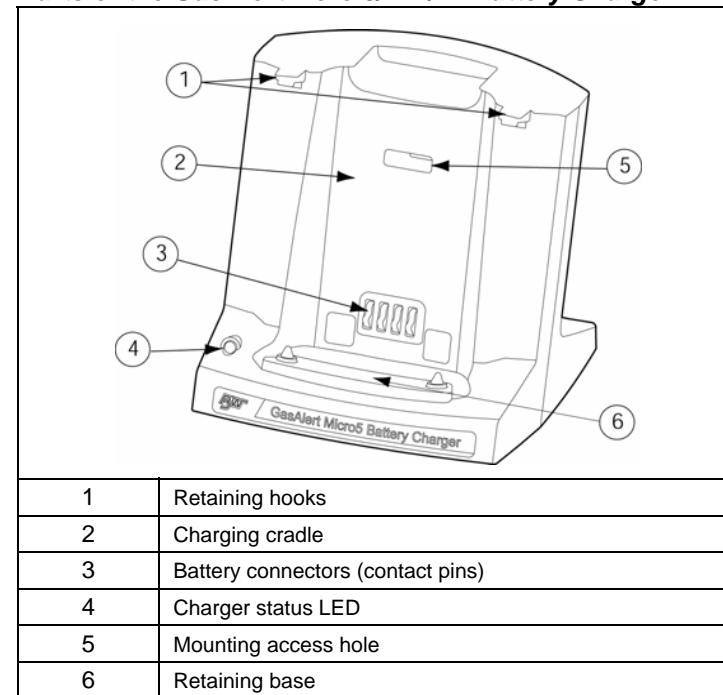
Safety Information - Read First

- ⇒ For indoor use only.
- ⇒ *Warning:* Substitution of components may impair Intrinsic Safety of the detector being charged.
- ⇒ Do not charge the battery pack with any other unapproved charger. Do not use the charger, change the batteries, or charge the batteries in a hazardous location. Failure to observe these precautions will impair the Intrinsic Safety of the detector and can lead to fire and/or explosion.
- ⇒ Do not expose the charger to electrical shock or severe continuous mechanical shock.
- ⇒ Ensure the battery pack is locked in place prior to operating the detector.
- ⇒ If the charger is damaged or parts are missing, contact [BW Technologies by Honeywell](http://www.bwtechnologies.com) immediately.
- ⇒ To eliminate the risk of electrical shock, unplug the charger whenever cleaning or other maintenance is required.
- ⇒ Avoid touching the charging cradle contact pins.
- ⇒ Use only BW approved batteries. Do not use alkaline or other non-rechargeable batteries with this charger.
- ⇒ The detector must be deactivated before charging.
- ⇒ Do not calibrate the detector during or immediately after charging is complete.

Table 2. International Symbols

Symbol	Meaning
	Approved to both U.S. and Canadian Standards by the CSA International
	Caution – risk of danger
	dc current

Parts of the GasAlertMicro 5/PID/IR Battery Charger

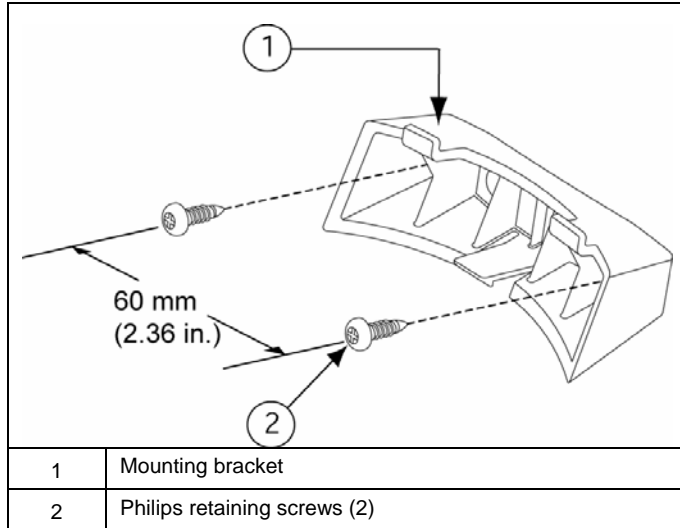


Mounting the Charger

The charger can be easily mounted onto a secure surface. To mount the charger, complete the following:

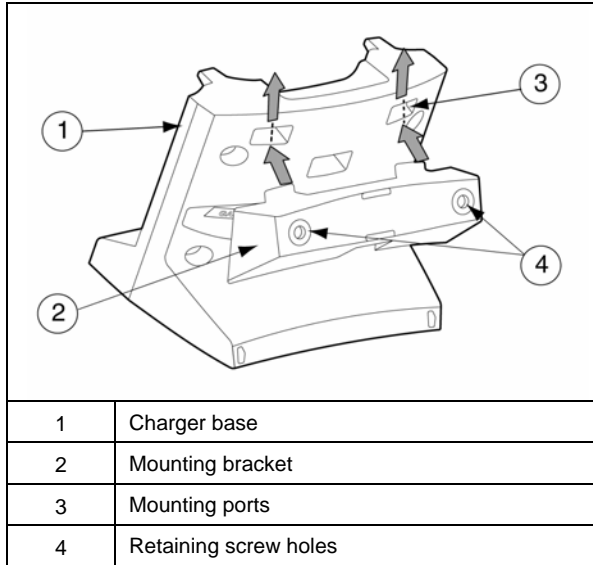
1. Select a secure location for the charger to be mounted.
2. Measure a distance of 2.36 in. (60 mm) for the retaining screws. Refer to Figure 1.

Figure 1. Mounting Bracket



3. Using the screws provided, mount the bracket.
4. Attach the charger to the bracket by sliding the charger mounting ports down onto the mounting bracket. Refer to Figure 2.

Figure 2. Attaching the Charger Base



5. Press the charger firmly against the bracket until the release tabs click.

Charging

⚠ Warning

To charge successfully, the temperature must be between 50°F to 95°F (10°C to 35°C). If the detector emits a low battery alarm, charge the battery immediately.

When charging a new battery for the first time, fully charge the battery pack before use (approximately 3.5 hours).

Note

If a fully charged battery is inserted into the charger, the charger status LED lights red for 6 to 10 minutes and then changes to green (does not damage the battery).

The detector can remain in the cradle after charging is complete.

Charging the battery pack in temperatures above 86°F (30°C) greatly reduces the life of the battery pack.

The battery pack may be hot immediately after charging.

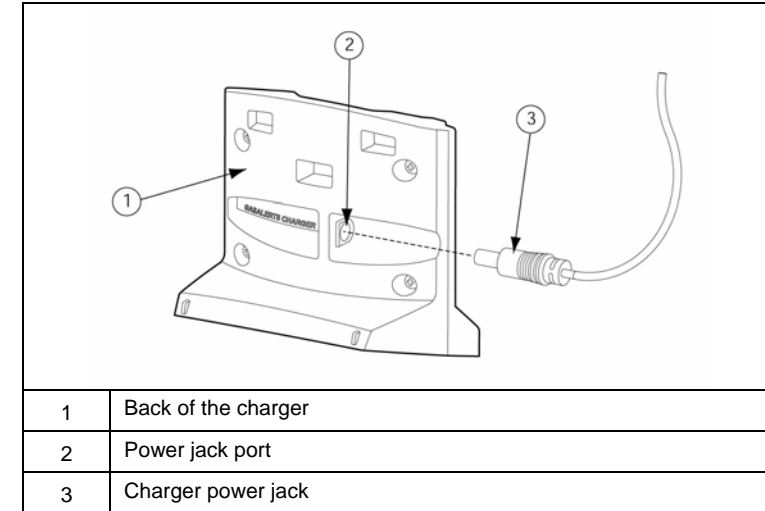
Approximately three charges are required to achieve a full charge capacity for a new battery pack.

Charging the Battery Pack with the Detector

To charge the detector, complete the following:

1. Insert the power cord into the charger port. Refer to Figure 3.

Figure 3. GasAlertMicro 5/PID/IR Battery Charger (Back)



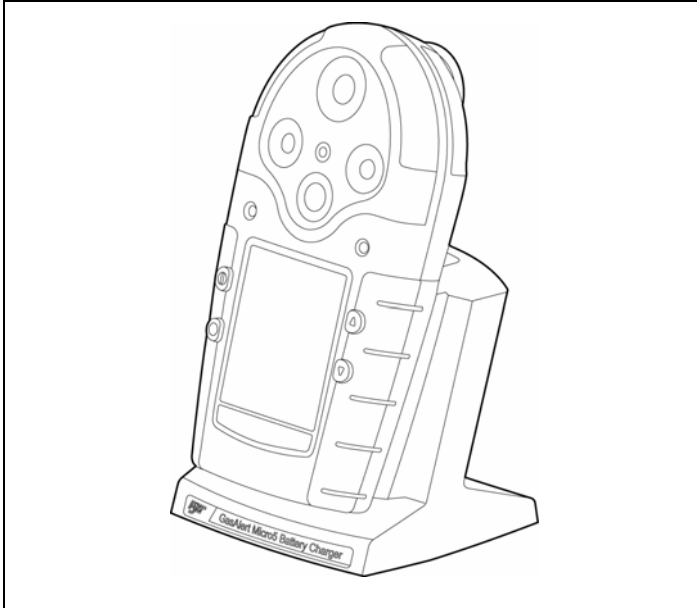
2. Plug the power cord into a Vac outlet.

The charger performs a self-test. The charger LED lights red then green during the test. When the self-test is complete, the LED deactivates.

3. Deactivate the detector.

4. Holding the detector vertically, insert it into the charging cradle. Ensure the connector holes at the bottom of the detector align over the black prongs on the retaining base. Refer to Figure 6.
5. Push the detector down, angle it towards the back of the charger, and release. Refer to Figure 7. The detector sits securely if inserted correctly. Refer to Figure 4.

Figure 4. Inserting the Detector into the Charger



The charger emits one beep and the LED lights red to indicate the battery is charging.

6. Allow the battery to fully charge (approximately 3.5 hours).

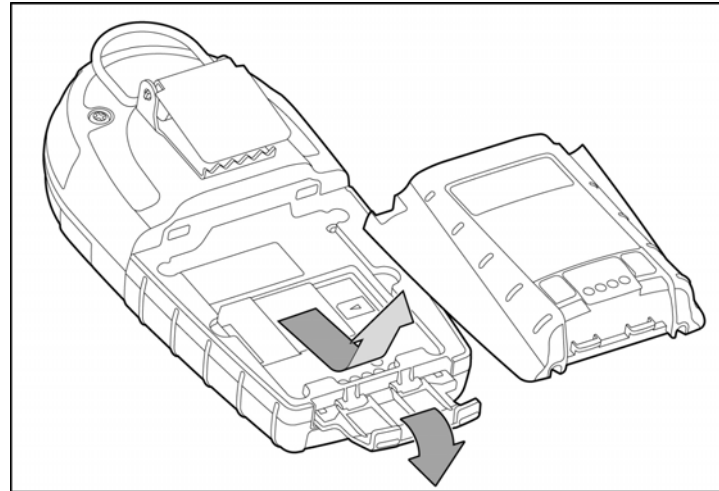
The charging LED changes to green when charging is complete. When the detector is removed from the charger, the LED deactivates.

Remove/Replace the Battery Pack

To remove/replace the battery pack, refer to Figure 5 and complete the following:

1. Deactivate the detector.
2. Open the latch on the bottom of the detector.
3. Remove the battery pack by lifting the bottom of the pack away from the detector.
4. Insert the new battery pack. Close and press the latch until the release tabs click.

Figure 5. Removing the Battery Pack



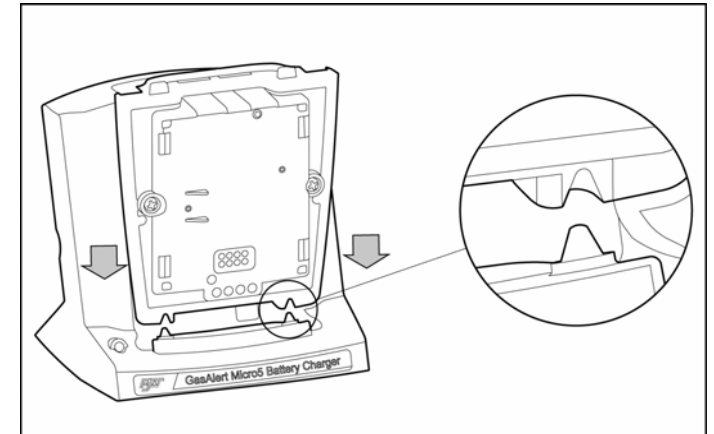
Charging the Battery Pack without the Detector

To charge the battery pack separately, complete the following:

1. Insert the power cord into the charger port. Refer to Figure 3.
2. Plug the power cord into a Vac outlet.

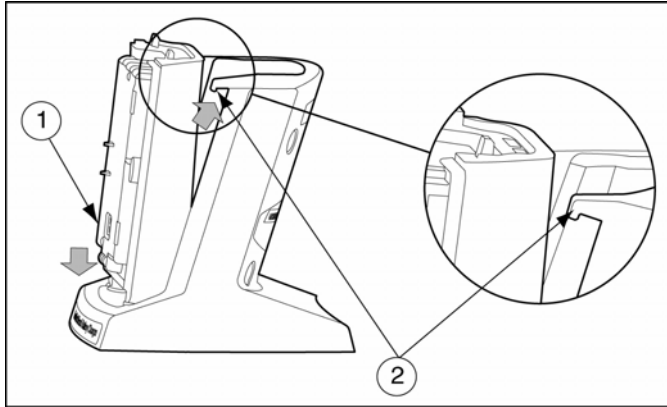
The charger performs a self-test. The charger LED lights red then green during the test. When the self-test is complete, the LED deactivates.
3. Deactivate the detector and remove the battery pack. If required, refer to [Remove/Replace the Battery Pack](#).
4. Holding the battery pack vertically, insert it into the charging cradle. Ensure the connector holes at the bottom of the battery pack align over the black prongs on the retaining base. Refer to Figure 6.

Figure 6. Charging the Battery Pack without the Detector (Front)



- Push the battery pack down, angle it towards the back of the charger, and release. Refer to Figure 7. The battery pack sits securely if inserted correctly.

Figure 7. Charging the Battery Pack without the Detector (Side)



The charger emits one beep and the LED lights red.

- Allow the battery to fully charge (approximately 3.5 hours).
The charging LED changes to green when charging is complete.
When the battery pack is removed from the charger, the LED deactivates.

⚠ Warning

When replacing battery packs, ensure the GasAlertMicro 5 IR battery pack is only inserted into the GasAlertMicro 5 IR detector. The IR battery packs are not compatible with other Micro 5 models and vice versa. Refer to the IR warning label located on the back of the IR battery pack lid.

Troubleshooting

If a problem occurs, refer to the following solutions. If the problem persists, contact [BW Technologies by Honeywell](#).

Table 3. Troubleshooting Guide

Problem	Possible Cause	Solution
The charge LED does not activate when the detector is inserted.	The detector is not inserted correctly in the cradle.	Firmly insert the detector into the cradle.
	The battery pack is above or below the operating temperature.	Allow the battery pack time to adjust to the specified operating temperature (approximately 1 hour).
	The battery pack is severely depleted.	Contact BW Technologies by Honeywell
	Damaged or defective battery pack.	Contact BW Technologies by Honeywell .
There is no audible beep.	Internal damage to battery or charger.	Contact BW Technologies by Honeywell .
There is an audible beep, but no charge.	The battery is above or below the operating temperature.	Leave the battery in the charger. When the battery returns to room temperature, charging will begin.
	The battery pack is severely depleted.	Contact BW Technologies by Honeywell .
	Damaged or defective battery pack.	Contact BW Technologies by Honeywell .

Maintenance

⚠ Warning

No user-serviceable parts inside.

To maintain the charger in good operating condition, perform the following basic maintenance as required.

- Clean the exterior with a soft, damp cloth. Do not use solvents, soaps, or polishes.
- Do not immerse the charger in liquids.

Battery Pack Storage

When stored for extended periods of time, ensure that the battery pack is fully charged and then recharged every 30 days.

Replacement Parts and Accessories

⚠ Warning

To avoid personal injury or damage to the charger, use only the specified replacement parts.

Table 4. Replacement Parts and Accessories

Model No.	Description	Qty
M5-BAT01	GasAlertMicro 5 and GasAlertMicro 5 PID rechargeable battery pack	1
M5IR-BAT04	GasAlertMicro 5 IR rechargeable battery pack	1
M5-C01-BAT01*	GasAlertMicro 5 and GasAlertMicro 5 & PID cradle charger / battery pack kit	1
M5IR-C01-BAT04*	GasAlertMicro 5 IR cradle charger / battery pack kit	1

*Add suffix (-UK) for United Kingdom mains plug, (-EU) for European mains plug, (-AU) for Australian mains plug.

Specifications

Size: 87 x 83.97 x 80.8 mm (3.4 x 3.3 x 3.2 in.)

Weight: 210 g (7.4 oz.)

Operating temperature: 10°C to 35°C (50°F to 95°F)

Humidity: 0 to 50%

Altitude: 2000 m (6561.66 ft.)

Power: 6 Vdc $\overline{=}$, 1.0 A

Charger status LED: Color-coded LED advises the following: charging, charging complete, and charger fault

Charge time: Typically 3.5 hours

Battery life: Typically 500 charges

Pollution degree: 2

Installation category: I

Certifications: Approved to both U.S. and Canadian standards by CSA International for use in ordinary locations.

This device complies with the FCC Part 15 and ICES-003 Canadian EMI requirements. Operation is subject to the following two conditions:

1. This device may not cause harmful interference, and
2. this device must accept any interference received, including interference that may cause undesired operation.

This equipment has been tested and found to comply with the limits for a Class A digital device, pursuant to Part 15 of the FCC Rules and ICES-003 Canadian EMI requirements. These limits are designed to provide reasonable protection against harmful interference when the equipment is operated in a commercial environment.

This equipment generates, uses, and can radiate radio frequency energy and, if not installed and used in accordance with the instruction manual, may cause harmful interference to radio communications.

Operation of this equipment in a residential area is likely to cause harmful interference in which case the user will be required to correct the interference at his/her own expense.

⚠ Warning

This product is designed for installation in an indoor location only. All required National Electrical Codes and Safety Standards must be followed.

Warranty

LIMITED WARRANTY & LIMITATION OF LIABILITY

BW Technologies by Honeywell (BW) warrants this product to be free from defects in material and workmanship under normal use and service for a period of two years, beginning on the date of shipment to the buyer. This warranty extends only to the sale of new and unused products to the original buyer. BW's warranty obligation is limited, at BW's option, to refund of the purchase price, repair, or replacement of a defective product that is returned to a BW authorized service center within the warranty period. In no event shall BW's liability hereunder exceed the purchase price actually paid by the buyer for the Product.

This warranty does not include:

- a) fuses, disposable batteries or the routine replacement of parts due to the normal wear and tear of the product arising from use;
- b) any product which in BW's opinion, has been misused, altered, neglected or damaged by accident or abnormal conditions of operation, handling or use;
- c) any damage or defects attributable to repair of the product by any person other than an authorized dealer, or the installation of unapproved parts on the product; or

The obligations set forth in this warranty are conditional on:

- a) proper storage, installation, calibration, use, maintenance and compliance with the product manual instructions and any other applicable recommendations of BW;
- b) the buyer promptly notifying BW of any defect and, if required, promptly making the product available for correction. No goods shall be returned to BW until receipt by the buyer of shipping instructions from BW; and
- c) the right of BW to require that the buyer provide proof of purchase such as the original invoice, bill of sale or packing slip to establish that the product is within the warranty period.

THE BUYER AGREES THAT THIS WARRANTY IS THE BUYER'S SOLE AND EXCLUSIVE REMEDY AND IS IN LIEU OF ALL OTHER WARRANTIES, EXPRESS OR IMPLIED, INCLUDING BUT NOT LIMITED TO ANY IMPLIED WARRANTY OF MERCHANTABILITY OR FITNESS FOR A PARTICULAR PURPOSE. BW SHALL NOT BE LIABLE FOR ANY SPECIAL, INDIRECT, INCIDENTAL OR CONSEQUENTIAL DAMAGES OR LOSSES, INCLUDING LOSS OF DATA, WHETHER ARISING FROM BREACH OF WARRANTY OR BASED ON CONTRACT, TORT OR RELIANCE OR ANY OTHER THEORY.

Since some countries or states do not allow limitation of the term of an implied warranty, or exclusion or limitation of incidental or consequential damages, the limitations and exclusions of this warranty may not apply to every buyer. If any provision of this warranty is held invalid or unenforceable by a court of competent jurisdiction, such holding will not affect the validity or enforceability of any other provision.



Thank you for reading this data sheet.

For pricing or for further information, please contact us at our UK Office, using the details below.



UK Office

Keison Products,

P.O. Box 2124, Chelmsford, Essex, CM1 3UP, England.

Tel: +44 (0)1245 600560

Fax: +44 (0)1245 600030

Email: sales@keison.co.uk

Please note - Product designs and specifications are subject to change without notice. The user is responsible for determining the suitability of this product.