

BW Clip Single-Gas Detector

H₂S, CO, O₂, SO₂



The most user-friendly, reliable and cost-effective way to ensure safety and compliance

The BW Clip single-gas detector is your everyday companion for hazardous environments. It operates up to three years maintenance-free: Just turn on the device and it runs continuously — no need for calibration, sensor replacement, battery replacement or battery charging. That means great reliability and no downtime.


Plus, with the two-year BW Clip for H₂S or CO, you can put the device in a hibernation case when you're not using it for a week or more — and extend its life by that period of time.

Compatible with both the MicroDock II and the IntelliDoX instrument management systems, the BW Clip is engineered to the highest standards of quality and reliability, keeping you safe and compliant.

Standard Package Contents

- Detector complete with specified sensor, stainless steel alligator clip and concussion-proof housing
- Test cap
- Instructions

General Specifications

Size	1.1 x 2.0 x 3.4 in. / 2.8 x 5.0 x 8.6 cm
Weight	3.2 oz. / 92 g
Typical battery life	Two years (H ₂ S, CO, SO ₂ or O ₂) or three years (H ₂ S or CO)
Certifications and approvals	<p> Class I, Div. 1, Gr. A, B, C, D Class I, Zone 0, Group IIC</p> <p>ATEX: CE 0539 II 1G Ex ia IIC T4 Ga IP66/67 DEMKO 14 ATEX 1356</p> <p>CE: European Conformity</p> <p>EC: EC Declaration of Conformity www.honeywellanalytics.com</p> <p>IECEx: Ex ia IIC T4 Ga IP66/67 IECEx UL 14.0063</p>
Warranty	<p>Two or three years from activation (given normal operation), plus one year shelf life (6 months for O₂ model)</p> <p>Up to three years from activation for two-year H₂S and CO detectors when used with the hibernation feature, limited by 24 months of detector operation</p>



BW Clip 2-Year Detectors	Default Alarm Setpoints		Alarm Setpoints Range		Measuring Range	Order Number
	Low	High	Min.	Max.		
Hydrogen sulfide (H ₂ S)	10 ppm	15 ppm	1.6 ppm	20 ppm	0-100 ppm	BWC2-H
Hydrogen sulfide (H ₂ S)	5 ppm	10 ppm	1.6 ppm	20 ppm	0-100 ppm	BWC2-H510
Carbon monoxide (CO)	35 ppm	200 ppm	5 ppm	200 ppm	0-300 ppm	BWC2-M
Carbon monoxide (CO)	50 ppm	200 ppm	5 ppm	200 ppm	0-300 ppm	BWC2-M50200
Sulfur dioxide (SO ₂)	5 ppm	10 ppm	2 ppm	20 ppm	0-100 ppm	BWC2-S
Oxygen (O ₂)	19.5% vol.	23.5% vol.	18% vol.	25% vol.	0-25% vol.	BWC2-X

Note: For a complete list of BW Clip models with additional default alarm setpoints, please refer to the Full Product Index on page 7.

BW Clip 3-Year Detectors	Default Alarm Setpoints		Alarm Setpoints Range		Measuring Range	Order Number
	High	Low	Min.	Max.		
Hydrogen sulfide (H ₂ S)	10 ppm	15 ppm	1.6 ppm	20 ppm	0-100 ppm	BWC3-H
Carbon monoxide (CO)	35 ppm	200 ppm	5 ppm	200 ppm	0-300 ppm	BWC3-M

Note: For a complete list of BW Clip models with additional default alarm setpoints, please refer to the Full Product Index on page 7.

BW Clip Accessories	Order Number
Hibernation case for BW Clip	ClipHB-Case
Hard hat clip (non-conductive)	GA-HC-1
Neck strap with safety release	GA-NS-1
Short strap (6 in. / 15.2 cm)	GA-LY-1



Hibernation case
ClipHB-Case

Gain up to one extra year of operation on two-year H₂S and CO BW Clip detectors.



Short Strap
GA-LY-1



Neck strap
GA-NS-1



Hard hat clip
GA-HC-1





IntelliDoX, unmatched performance and customization

The IntelliDoX instrument management system combines smart docking modules with Fleet Manager II software to provide automated instrument management, helping drive productivity, reliability and efficiency. Place the detector in the docking module, and it automatically tests the gas detector and sensors while transferring data to the docking station.



The IntelliDoX delivers quicker bump tests for better productivity. Bump as many as five detectors in less than a minute. That means no more queues of workers waiting to test their detectors. Gang up to five IntelliDoX for even greater productivity, each module can function independently, managing fleets of detectors, all simultaneously.

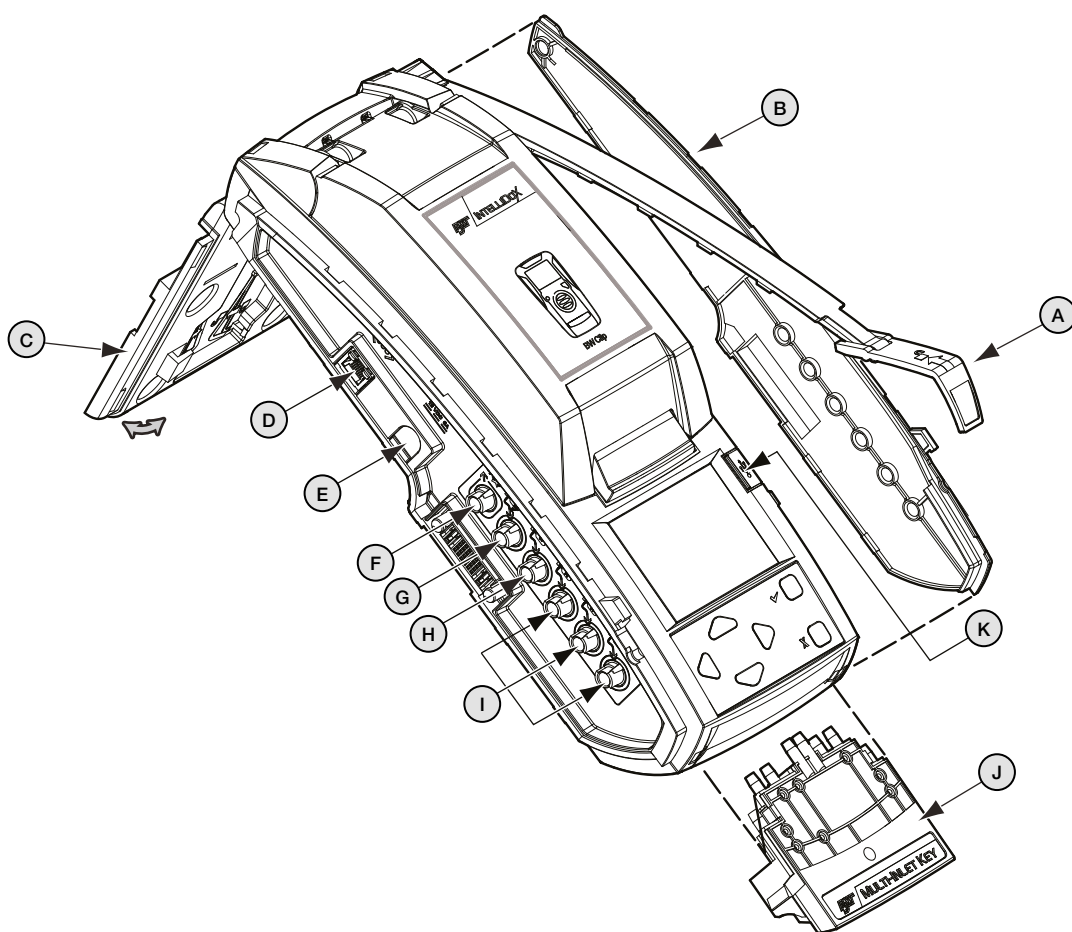
Efficient when networked via Ethernet or stand-alone, transfer data with a USB drive, the IntelliDoX is the solution for easy record-keeping, to transfer bump tests, peak exposures and other gas-detection data.

Standard Package Contents

- IntelliDoX module with factory-installed nest for specified portable gas detector
- Integrated retractable stand/wall mount
- Quick Reference Guide
- Operator's Manual CD
- Fleet Manager II software CD

General Specifications

Size	5.4 x 14.2 x 4.3 in. / 13.8 x 36.2 x 10.9 cm (per docking module)	
Weight	4.2 lbs. / 1.91 kg	
Power Supply	12 V / 8.33A ITE	
External interface	1 USB port, 1 ethernet port	
Pump	Flow rate: 350 ml/min (independent pump in each module)	
Automatic tests	FastBump: 10 seconds Standard bump: 40 seconds Hibernation	
LCD Display Color Coding	Yellow "TEST", Green "PASS", Red "FAIL"	
Certifications and approvals	 Certificate of Compliance; CSA/UL 61010-1 (3rd Ed)  EC Declaration of Conformity; EMC Directive & Low Voltage Directive	
Warranty	Full two year warranty	



Legend	Description
A	Latch arm
B	End plate
C	Integrated back panel
D	Ethernet port
E	Power supply port
F	Exhaust outlet
G	Purge inlet
H, I	Gas inlets
J	Multi-Inlet Key
K	USB port

How to Assemble an IntelliDoX and prepare for first-time use

1. Attach the inlet end plate - Unlock and raise the latch arm (A). Attach the end plate (B) to the right side of the IntelliDoX. Lower and lock the latch arm (A).
2. Connect the purge inlet filter - Ensure that the filter assembly is free of obstructions and defects. Connect the filter assembly to the purge inlet (G). If necessary, attach extension tubing to the filter assembly to draw ambient air from an adjacent fresh air environment.
3. Connect the exhaust tubing - Inspect the exhaust tubing to ensure that it is free of obstructions and defects. Connect the exhaust tubing to the exhaust outlet (F). Ensure that the exhaust tubing is not connected to a negative pressure system, or obstructed in any way.
4. Connect the calibration gas tubing - Inspect the calibration gas tubing to ensure that it is free of obstructions and defects. Connect the calibration gas tubing to a demand flow regulator. Ensure that the calibration gas tubing is connected to a 3L/min Demand Flow regulator. Connect the calibration gas tubing to the first gas inlet (H). Attaching additional calibration gas tubing to an IntelliDoX inlets 2, 3, or 4 (I) requires the attachment of the Multi-Inlet Key (J) on each module that requires this gas.
5. Connect the power - Connect the AC power cord to the power supply. Connect the power supply to the power connection on the IntelliDoX module (E). Plug the AC power cord into a suitable wall outlet. When the power is connected, the IntelliDoX LCD activates and a self-test is performed.

6. Connect to a Computer Network - Insert one end of the Ethernet cable into the Ethernet port on the IntelliDoX module (D). Insert the free end of the Ethernet cable into the network outlet.
7. The integrated back panel of the IntelliDoX (C) may be used as a retractable stand suitable for table top use or as a wall mount to support an individual module or gang of up to five connected modules. Refer to the operator's manual for assembly instructions

How to Assemble Up To Five Connected Modules

1. Unlock and raise the latch arm (A) on the first module. If an end plate (B) is attached, remove it.
2. Align the connection port and outlets on the first module with the connection port and inlets on a second module. Push the modules firmly together to connect.
3. Lower and lock the latch arm (A).
4. Repeat as necessary to connect up to a maximum of five IntelliDoX modules in one gang.
5. When the gang is complete, attach the end plate (B) to the last module in the gang.

IntelliDoX Docking System

Order Number

IntelliDoX docking station for BW Clip	DX-CLIP
IntelliDoX enabler kit, EU version (Europe) <i>Includes power supply with region-specific AC power cord, ethernet cable, inlet (purge) filter assembly, 3 ft. / 1 m calibration gas tubing, 3 ft. / 1 m purge gas tubing, 15 ft. / 4.5 m exhaust tubing, quick connect fittings and IntelliDoX inlet end plate</i>	DX-ENBL-EU*

*Note: Replace "-EU" with "-UK" for United Kingdom version and "-NA" for North American version.

IntelliDoX Accessories

Order Number

IntelliDoX Single-Inlet Key	DX-SI-KEY
IntelliDoX Multi-Inlet Key	DX-MI-KEY
AC power supply for IntelliDoX, EU version (Europe)	DX-PS-EU*
IntelliDoX vehicle power adaptor	DX-VPA
Demand flow regulator	REG-DF-1

*Note: Replace "-EU" with "-UK" for United Kingdom version and "-NA" for North American version.

IntelliDoX Spares & Replacements

Order Number

IntelliDoX Nest for BW Clip	DX-NEST-CLIP
IntelliDoX universal latch arm (kit of 5)	DX-ARM
IntelliDoX universal inlet cover (kit of 5)	DX-COVER
IntelliDoX filters and hoses kit	DX-FILTERS
IntelliDoX inlet filters (kit of 5)	DX-IF-5
IntelliDoX retractable stand/wall mount (kit of 5)	DX-STAND

What's in the Box

IntelliDoX Docking Module

Each IntelliDoX Docking Module package contains:

1. One IntelliDoX module with a factory-installed nest for a compatible portable gas detector;
2. Integrated retractable stand / wall mount;
3. One printed Quick Reference Guide;
4. One CD containing the IntelliDoX Operator's Manual in PDF format; and
5. One CD containing Fleet Manager II software, version 4.x or higher.

The power adapter, power cord, calibration gas tubing, exhaust tubing, and user manual are packaged separately as the IntelliDoX Enabler Kit.

If the IntelliDoX module is damaged or if parts are missing, contact BW Technologies or an authorized distributor immediately.

IntelliDoX Enabler Kit

One Enabler Kit is required for each stand-alone IntelliDoX module or gang of up to 5 connected modules.

Each IntelliDoX Enabler Kit package contains:

1. One power supply and AC power cord appropriate to shipping destination;
2. One IntelliDoX end plate;
3. One ethernet cable;
4. Calibration gas cylinder tubing and purge gas tubing, 4.6 meters(15 feet);
5. Quick connect fittings;
6. Inlet filters;
7. Assorted connectors;
8. One printed Quick Reference Guide.
9. One CD containing the IntelliDoX Operator Manual in PDF format; and
10. One CD containing Fleet Manager II software

If Enabler Kit parts are damaged or missing, or if additional Enabler Kits are required, contact BW Technologies or an authorized distributor immediately.



IntelliDoX, unmatched performance and customization.

The IntelliDoX instrument management system combines smart docking modules with Fleet Manager II software to provide automated instrument management, helping drive productivity, reliability and efficiency. Place the detector in the docking module, and it automatically tests the gas detector and sensors while transferring data to the docking station.

The IntelliDoX, via Fleet Manager II software, allows users to configure these settings for their BW Clip detectors:

- Display peak reading
- Time of peak reading
- Low alarm setpoint
- High alarm setpoint
- Real-time clock
- Display gas readings during alarm
- Bump test reminder
- Non-compliance indicator
- Manual zero sensor
- Activate hibernation

IntelliDoX Docking System

Order Number

IntelliDoX docking station for BW Clip	DX-CLIP
Enabler kit, NA version (North America)	DX-ENBL-NA
Enabler kit, EU version (Europe)	DX-ENBL-EU
Enabler kit, UK version (United Kingdom)	DX-ENBL-UK

Testing Equipment

Order Number

25ppm H ₂ S, balance N ₂ , 34 L (18 month)	GasH2S-25-N2-34
25ppm H ₂ S, balance N ₂ , 58 L (18 month)	GasH2S-25-N2-58
100ppm CO, balance N ₂ , 34 L (60 month)	GasCO-100-N2-34
100ppm CO, balance N ₂ , 58 L (60 month)	GasCO-100-N2-58
18% O ₂ , balance N ₂ , 34 L (60 month)	GasO2-18-N2-34
18% O ₂ , balance N ₂ , 58 L (60 month)	GasO2-18-N2-58
10ppm SO ₂ , balance N ₂ , 34 L (12 month)	GasSO2-10-N2-34
10ppm SO ₂ , balance N ₂ , 58 L (12 month)	GasSO2-10-N2-58
4-Gas: 100ppm CO, 25ppm H ₂ S, 2.2% CH ₄ , 18% O ₂ , balance N ₂ , 34 L (12 month)	4Ga18X22W25H100-34
4-Gas: 100ppm CO, 25ppm H ₂ S, 2.2% CH ₄ , 18% O ₂ , balance N ₂ , 58 L (12 month)	4Ga18X22W25H100-58
Manual regulator, 0.5 LPM	Reg-0.50

Note: Regulators must be ordered separately.

Full Product Index

Price Group	Description	Price Group	Description
A1	Colorimetric Tubes	C1	Radiation
A2	Single Gas	C2	Area Monitoring Remote
A3	Multi Gas	C3	Wireless Infrastructure
A4	Docking Stations	C4	Software
A5	Calibration Gas	D1	Accessories
A6	Area Monitoring Standalone	D2	Replacement Parts
B1	Handheld PID		

Single-Gas Detectors

BW Clip Single-Gas Detector	Order Number
2-year, hydrogen sulfide (H2S, 10 ppm Low / 15 ppm High)	BWC2-H
2-year, hydrogen sulfide (H2S, 1.6 ppm Low / 3.2 ppm High)	BWC2-H1632
2-year, hydrogen sulfide (H2S, 1.6 ppm Low / 5 ppm High)	BWC2-H1650
2-year, hydrogen sulfide (H2S, 3 ppm Low / 5 ppm High)	BWC2-H35
2-year, hydrogen sulfide (H2S, 5 ppm Low / 5 ppm High)	BWC2-H5
2-year, hydrogen sulfide (H2S, 5 ppm Low / 10 ppm High)	BWC2-H510
2-year, hydrogen sulfide (H2S, 7 ppm Low / 7 ppm High)	BWC2-H7
2-year, hydrogen sulfide (H2S, 7 ppm Low / 10 ppm High)	BWC2-H710
2-year, hydrogen sulfide (H2S, 7 ppm Low / 14 ppm High)	BWC2-H714
2-year, hydrogen sulfide (H2S, 10 ppm Low / 10 ppm High)	BWC2-H10
2-year, carbon monoxide (CO, 35 ppm Low / 200 ppm High)	BWC2-M
2-year, carbon monoxide (CO, 10 ppm Low / 200 ppm High)	BWC2-M10200
2-year, carbon monoxide (CO, 30 ppm Low / 200 ppm High)	BWC2-M30200
2-year, carbon monoxide (CO, 50 ppm Low / 200 ppm High)	BWC2-M50200
2-year, carbon monoxide (CO, 20 ppm Low / 50 ppm High)	BWC2-M2050
2-year, carbon monoxide (CO, 25 ppm Low / 50 ppm High)	BWC2-M2550
2-year, carbon monoxide (CO, 50 ppm Low / 50 ppm High)	BWC2-M50
2-year, carbon monoxide (CO, 30 ppm Low / 60 ppm High)	BWC2-M3060
2-year, carbon monoxide (CO, 25 ppm Low / 75 ppm High)	BWC2-M2575
2-year, carbon monoxide (CO, 25 ppm Low / 100 ppm High)	BWC2-M25100
2-year, carbon monoxide (CO, 30 ppm Low / 100 ppm High)	BWC2-M30100
2-year, carbon monoxide (CO, 50 ppm Low / 100 ppm High)	BWC2-M50100
2-year, carbon monoxide (CO, 100 ppm Low / 100 ppm High)	BWC2-M100
2-year, sulfur dioxide (SO2, 2 ppm Low / 5 ppm High)	BWC2-S25
2-year, sulfur dioxide (SO2, 5 ppm Low / 10 ppm High)	BWC2-S
2-year, oxygen (O2, 19.5% Low / 23.5% Vol. High)	BWC2-X
3-year, hydrogen sulfide (H2S, 10 ppm Low / 15 ppm High)	BWC3-H
3-year, hydrogen sulfide (H2S, 5 ppm Low / 10 ppm High)	BWC3-H510
3-year, hydrogen sulfide (H2S, 10 ppm Low / 10 ppm High)	BWC3-H1010
3-year, hydrogen sulfide (H2S, 2 ppm Low / 7 ppm High)	BWC3-H27
3-year, carbon monoxide (CO, 35 ppm Low / 200 ppm High)	BWC3-M
3-year, carbon monoxide (CO, 30 ppm Low / 200 ppm High)	BWC3-M30200
3-year, carbon monoxide (CO, 50 ppm Low / 200 ppm High)	BWC3-M50200
3-year, carbon monoxide (CO, 15 ppm Low / 35 ppm High)	BWC3-M1535
3-year, carbon monoxide (CO, 25 ppm Low / 50 ppm High)	BWC3-M2550
3-year, carbon monoxide (CO, 30 ppm Low / 60 ppm High)	BWC3-M3060
3-year, carbon monoxide (CO, 25 ppm Low / 75 ppm High)	BWC3-M2575
3-year, carbon monoxide (CO, 25 ppm Low / 100 ppm High)	BWC3-M25100
3-year, carbon monoxide (CO, 50 ppm Low / 100 ppm High)	BWC3-M50100
3-year, carbon monoxide (CO, 35 ppm Low / 200 ppm High)	BWC3-M25150
BW Clip Accessories	Order Number
Hibernation case for BW Clip	ClipHB-Case
Hard hat clip (non-conductive)	GA-HC-1
Neck strap with safety release	GA-NS-1
Short strap (6 in. / 15.2 cm)	GA-LY-1

Docking, Testing and Data Management

IntelliDoX Docking System	Order Number
IntelliDoX docking station for BW Clip	DX-CLIP
IntelliDoX enabler kit, NA version (North America)	DX-ENBL-NA
IntelliDoX enabler kit, UK version (United Kingdom)	DX-ENBL-UK
IntelliDoX enabler kit, EU version (Europe)	DX-ENBL-EU

IntelliDoX Docking Station Accessories	Order Number
IntelliDoX Multi-Inlet Key	DX-MI-KEY
IntelliDoX Single-Inlet Key	DX-SI-KEY
AC power supply for IntelliDoX, NA version (North America)	DX-PS-NA
AC power supply for IntelliDoX, UK version (United Kingdom)	DX-PS-UK
AC power supply for IntelliDoX, EU version (Europe)	DX-PS-EU
IntelliDoX vehicle power adaptor	DX-VPA

IntelliDoX Docking Station Replacements, Spares & Service Parts	Order Number
IntelliDoX Nest for BW Clip	DX-NEST-CLIP
IntelliDoX universal latch arm (kit of 5)	DX-ARM
IntelliDoX universal inlet cover (kit of 5)	DX-COVER
IntelliDoX filters and hoses kit	DX-FILTERS
IntelliDoX inlet filters (kit of 5)	DX-IF-5
IntelliDoX retractable stand/wall mount (kit of 5)	DX-STAND
Pump service replacement	DX-PUMP
Replacement O-rings (kit of 10)	DX-RINGS
Replacement screws, assorted	DX-SCREWS



Thank you for reading this data sheet.

For pricing or for further information, please contact us at our UK Office, using the details below.



UK Office

Keison Products,

P.O. Box 2124, Chelmsford, Essex, CM1 3UP, England.

Tel: +44 (0)330 088 0560

Fax: +44 (0)1245 808399

Email: sales@keison.co.uk

Please note - Product designs and specifications are subject to change without notice. The user is responsible for determining the suitability of this product.