



# Installation, Operation & Maintenance Instructions

Clean Room Ovens  
CR models

This manual is for the guidance of operators of the above Carbolite products and should be read before the oven is connected to the electricity supply.

---

## CONTENTS

| Section |                        | Page |
|---------|------------------------|------|
| 1.0     | Symbols & Warnings     | 2    |
| 2.0     | Installation           | 3    |
| 3.0     | Operation              | 4    |
| 4.0     | Maintenance            | 6    |
| 5.0     | Repairs & Replacements | 7    |
| 6.0     | Fault Analysis         | 10   |
| 7.0     | Circuit Diagrams       | 12   |
| 8.0     | Fuses & Power Settings | 15   |
| 9.0     | Specifications         | 16   |

---

**Manuals are supplied separately for the temperature controller (and overtemperature controller when fitted).**

Please read the controller manuals before operating the oven.

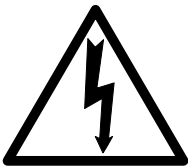
**SYMBOLS & WARNINGS**

**1.1 Switches and Lights**



Supply Light: when the oven is connected to the electrical supply the light in the adjacent switch glows

**1.2 Warning Symbols**



DANGER of electrical shock– read any warning printed by this symbol.



DANGER – hot surface. Read any warning printed by this symbol.  
WARNING: all surfaces of an oven may be hot.



DANGER – read any warning printed by this symbol.

## 2.0 INSTALLATION

### 2.1 Unpacking & Handling

Lift the unit by its base. Do not use the door or any other projecting cover or component to support the equipment when moving it. Use two or more people to carry the oven where possible. Remove any packing material from the inner chamber before use, and locate the shelves as required.

Larger models: the unit may be lifted by a fork lift truck from the front or back.

### 2.2 Siting & Setting Up

Place the oven on a level surface. If overtemperature protection is not fitted, ensure that the unit can be directly observed.

Ensure that there is free space around the oven. Ensure that any vents in the oven are not obscured.

Ensure that the oven is placed in such a way that it can be quickly switched off or disconnected from the electrical supply - see below.

### 2.3 Electrical Connections

*Connection by a qualified electrician is recommended.*

All ovens covered by this manual may be ordered for single phase A.C. supply, which may be Live to Neutral non-reversible, Live to Neutral reversible or Live to Live. The 450 litre models and above may be ordered for three phase supply with neutral (e.g. 380/220V) or for three phase without neutral (delta).

Check the oven rating label before connection. The supply voltage should agree with the voltage on the label, and the supply capacity should be sufficient for the amperage on the label.

The supply should be fused at the next size equal to or higher than the amperage on the label. A table of the most common fuse ratings is also given in section 8.1 of this manual. Where a supply cable is present there are internal supply fuses; customer fusing is preferred but not essential.

Oven with supply cable: either wire directly to an isolator or fitted with a line plug.

Oven without supply cable: a permanent connection to a fused and isolated supply should be made to the internal terminals after temporary removal of the back panel.

Connection by line plug: the plug should be within reach of the operator, and should be quickly removable.

Connection to isolating switch: this should operate on both conductors (single phase) or on all live conductors (three phase), and should be within reach of the operator.

The supply MUST incorporate an earth (ground).

| CONNECTION DETAILS |                       |                     | <i>supply type</i>             |                                |
|--------------------|-----------------------|---------------------|--------------------------------|--------------------------------|
| <b>Supply</b>      | <b>Terminal label</b> | <b>Cable colour</b> | <i>Live-Neutral</i>            | <i>Reversible or Live-Live</i> |
| <b>1-phase</b>     | L                     | Brown               | To live                        | to either power conductor      |
|                    | N                     | Blue                | To neutral                     | to the other power conductor   |
|                    | PE                    | Green/Yellow        | To earth (ground)              | to earth (ground)              |
| <b>supply</b>      | <b>Terminal label</b> | <b>Cable colour</b> |                                |                                |
| <b>3-phase</b>     | L1                    | Black               | to phase 1                     |                                |
|                    | L2                    | Black               | to phase 2                     |                                |
|                    | L3                    | Black               | to phase 3                     |                                |
|                    | N                     | Light Blue          | to neutral <i>except delta</i> |                                |
|                    | PE                    | Green/Yellow        | to earth (ground)              |                                |

DO NOT connect an oven ordered for three phase use to a single phase supply or to the wrong type of three phase supply.

### 3.0 OPERATION

*The instructions for operating the temperature controller are given in a separate manual.*

*If the oven is fitted with a time switch, see also the supplementary manual MS03.*

*If cascade control is fitted, see the supplementary manual MS07.*

*If the oven has variable speed fan, air extraction or stoving and curing options, please also see the appropriate section on the next page of this manual.*

### 3.1 Operating Cycle

The oven is fitted with a combined Supply light and Instrument switch. The light is on whenever the oven is connected to the supply. The switch cuts off power to the controller(s).

The circulation fan operates when the instrument switch is switched on.

Connect the oven to the electrical supply. The Supply light should glow .

Operate the instrument switch to activate the temperature controller; the **O** position is *off*, the **I** position *on*. The controller becomes illuminated and goes through a short test cycle.

Adjust the temperature controller – see the controller manual.

*Overtemperature Option:* If the overtemperature controller has not yet been set as required, set it and activate it according to the instructions in the appropriate manual.

Unless a time switch is fitted and is off, the oven starts to heat up according to the controller set point or program.

To switch the oven off, set the Instrument switch to **O**. If the oven is to be left off, isolate it from the electrical supply.

### 3.2 Overtemperature Control (if fitted)

The overtemperature controller should typically be set at 15°C above the main controller. If an overtemperature condition occurs, always investigate the possibility that the main control system has failed.

An overtemperature condition always cuts off power to the heating elements. It is indicated by a light in the overtemperature controller flashing. To reset the condition, either allow the oven to cool, or increase the overtemperature setting, then follow the instructions in the appropriate manual.

### 3.3 Explosive Vapours



The standard models are not suitable for drying or heat treatment applications where vapours are released which are combustible or which can form explosive mixtures with air. For such applications only use models supplied with the stoving and curing option.

### 3.4 Atmospheres

When an optional gas inlet is fitted there is a label near the inlet saying "INERT GAS ONLY". In practice *inert* or *oxidising* gases may be used, but not combustible or toxic gases. The oven chambers are not gas tight, so it should be understood that gas usage may be high, and that the chamber is likely always to contain some air. Residual oxygen levels of 1% are to be expected.

### **3.5 Variable Speed Fan Option**

When this is ordered, or in any model where it is supplied as standard, a variable speed control is fitted in the fan circuit. Operation of the rotary control is self-explanatory.

Please note that there is a minimum setting at which the fan motor starts up when the oven is switched on. Find this setting by experiment, and mark the position on the control or front panel.

It is unlikely that a control setting of less than 50% would ever be required, as there would be very little air flow inside the oven.

### **3.6 Fan Exhaust and Moisture Extraction Options**

When one of these options is fitted the motor and fan box and outlet vent are on the top of the unit, adding 450mm height. The outlet vent is a 64mm o/d tube to which suitable ducting can be connected if required.

Please note that the heater element power rating may be increased; check the oven rating label for power and fuse requirements.

Start the extraction unit using the amber switch on the control panel; this is only functional when the instrument switch is on.

The amount of air exhaust can be controlled by adjusting the vent control slider beneath the exhaust fan box.

When the unit is turned on, there may be a drop in internal temperature before the oven recovers to the setpoint value.

### **3.7 Stoving and Curing Option**

The oven is fitted with an explosion relief panel and a powered exhaust fan. The exhaust fan is physically similar to that described above.

With this option the fan runs all the time that the oven is switched on.

A pressure switch detects that there is sufficient air flow through the chamber, and prevents the oven from heating if the exhaust fan is not working correctly. If the pressure switch does not detect sufficient air flow, a fault light comes on and the oven is prevented from heating up.

At least 200mm free space must be left at the back and side of the oven to allow the explosion relief panel to break out if there is a rapid build up of pressure inside the chamber.

### 4.0 MAINTENANCE

#### 4.1 General Maintenance

No routine maintenance is required other than the occasional replacement of consumable items.

The oven outer surface may be cleaned with a damp cloth. Do not allow water to enter the interior of the case. Do not clean with organic solvents.

The fan motor is sealed for life; no lubrication is required.

#### 4.2 Calibration

After prolonged use the controller and/or thermocouple could require recalibration. This would be important for processes which require accurate temperature readings. A quick check using an independent thermocouple and temperature indicator should be made from time to time to determine whether full calibration is required.

For a quick check of the temperature shown by the control thermocouple and oven controller, a portable temperature indicator and probe thermocouple may be used. Carbolite can supply these items.

Depending on the controller, the controller manual may contain calibration instructions.

#### 4.3 After Sales Service

Carbolite's service division (Thermal Engineering Services) has a team of Service Engineers capable of repair, calibration and preventive maintenance of furnace and oven products at our customers' premises throughout the world. We also sell spares by mail order. A telephone call or fax often enables a fault to be diagnosed and the necessary spare part despatched.

Each furnace has its own record card at Carbolite. In all correspondence please quote the serial number, model type and voltage given on the rating label of the furnace. The serial number and model type are also given on the front of this booklet when supplied with a furnace.

To contact Thermal Engineering Services or Carbolite see the back page of this manual.

#### 4.4 Recommended Spares Kits

Carbolite can supply individual spares, or a kit of the items most likely to be required. Ordering a kit in advance can save time in the event of a breakdown. Each kit comprises a fan and motor assembly, a thermocouple, a solid state relay, an instrument switch, an element or set of elements, and a door seal. Individual spares are also available.

When ordering spares please quote the model details as requested above.

#### 4.5 Power Adjustment

The control system incorporates electronic power limiting, but in these models the power limit is set to 100% and the power limit parameter OP.Hi may be inaccessible to the operator.

Rarely, in the case of uncommon voltages (e.g. outside the range 220-240V or the 3-phase equivalent), the power limit parameter may be set to a value other than 100%. Do not increase the value to 100%. See section 8.2 for details of any power limit settings.

Occasionally the power limit is set to zero to permit demonstration of the controls without the heating elements taking power. In this case the power limit is accessible to the operator and may be reset to its standard value, usually 100.

## 5.0 **REPAIRS & REPLACEMENTS**

### 5.1 **Safety Warning – Disconnection from Supply**

Always ensure that the oven is disconnected from the supply before repair work is carried out.



### 5.2 **Safety Warning - Refractory Fibrous Insulation**

This oven contains refractory fibres in its thermal insulation. These materials may be in the form of fibre blanket or felt, vacuum formed board or shapes, mineral wool slab or loose fill fibre.



Normal use of the oven does not result in any significant level of airborne dust from these materials, but much higher levels may be encountered during maintenance or repair.

Whilst there is no evidence of any long term health hazards, we strongly recommend that safety precautions are taken whenever the materials are handled.

**Exposure to dust from fibre which has been used at high temperatures may cause respiratory disease.**

**When handling fibre always use an approved mask, eye protection, gloves and long sleeved clothing.**

**Avoid breaking up waste material. Dispose of waste fibre in sealed containers.**

**After handling rinse exposed skin with water before washing gently with soap (not detergent). Wash work clothing separately.**

Before commencing any major repairs we recommend reference to the European Ceramic Fibre Industry Association Bulletin No. 11 and the UK Health and Safety Executive Guidance Note EH46.

We can provide further information on request. Alternatively our service division can quote for any repairs to be carried out at your premises or ours.

### 5.3 **Panel Removal**



Disconnect the oven from the electrical supply.

Control panel. Remove the 4 screws holding the control panel to the case.

Internal Element Cover. Open the door. Remove the screws holding the rear element/fan cover.

### 5.4 Temperature Controller Replacement

200 & 201. These controllers are fitted to the back of the control panel, which can be removed as given above.



Before handling the controller: **wear an anti-static wrist strap** or otherwise avoid any possibility of damage to the unit by static electricity.

Refer to the instructions supplied with the replacement controller.

2132, 2416, 2408 etc. Ease apart the two lugs at the side; grip the instrument and withdraw it from its sleeve; push in the replacement.

### 5.5 Solid-state Relay Replacement

Remove the control panel as given above. Make a note how the wires are connected to the solid state relay, and disconnect them.

Remove the solid state relay from the aluminium plate.

Replace and reconnect the solid state relay ensuring that the heat-conducting thermal pad is sandwiched between the relay and the base panel or aluminium plate. Alternatively a thin layer of white, heat-conducting silicon paste may be applied between the new relay and the plate.

The new solid state relay contains a built-in MOV which protects it from short periods of excess voltage. If the old relay had a separate disc-shaped "MOV" connected between the high voltage terminals of the old relay, discard the old MOV.

Replace the removed panel.

### 5.6 Thermocouple Replacement

Remove the appropriate cover or control panel and the internal cover as given above.

Make a note of the thermocouple connections, and how the thermocouple is placed and fixed. Colour codings are:

|                 |                          |
|-----------------|--------------------------|
| <i>negative</i> | <i>positive (type K)</i> |
| white           | green                    |

Disconnect the thermocouple from its controller terminals or terminal block.

Re-assemble with the new thermocouple observing the colour coding.

### **5.7 Element Replacement**

Remove the control panel and the internal cover as given above, and the rear motor cover.

Disconnect the wires from the element terminals. Remove any starlock washers - these may need to be cut with wire cutters. Remove any clips holding the element inside the chamber, and withdraw the element.

Reverse the procedure with the new element.

Run the oven at a low temperature and check that it is controlling properly, to find out whether the element failure was caused by a fault in the control circuit.

### **5.8 Fuse Replacement**

Models up to 180 litre: remove the front control panel. Larger models: remove the top or side panel of the control compartment.

Depending on the model, supply fuses and control circuit fuses may be mounted in their own holders, or may be on a circuit board which contains an EMC filter. The fuses are marked with their ratings.

Take care not to disconnect the wires leading from the EMC filter without first recording their positions: they must be reconnected to the correct terminals.

### 6.0 FAULT ANALYSIS

#### A. Oven Does Not Heat Up

- |  |  |  |
|--|--|--|
| 1. The <b>SUPPLY</b> light is <b>OFF</b> | → No power from the supply   | → Check the fuses in the supply line   |
| 2. The <b>SUPPLY</b> light is <b>ON</b>  | → The controller shows a <b>very high temperature</b> or a code such as S.br | → The thermocouple has broken or has a wiring fault  |
|  | → The controller shows a <b>low temperature</b>                              | → The SSR could be failing to switch on due to internal failure, faulty logic wiring from the controller, or faulty controller |
|  | → There are no lights glowing on the controller                              | → The controller may be faulty or not receiving a supply due to a faulty switch or a wiring fault                              |

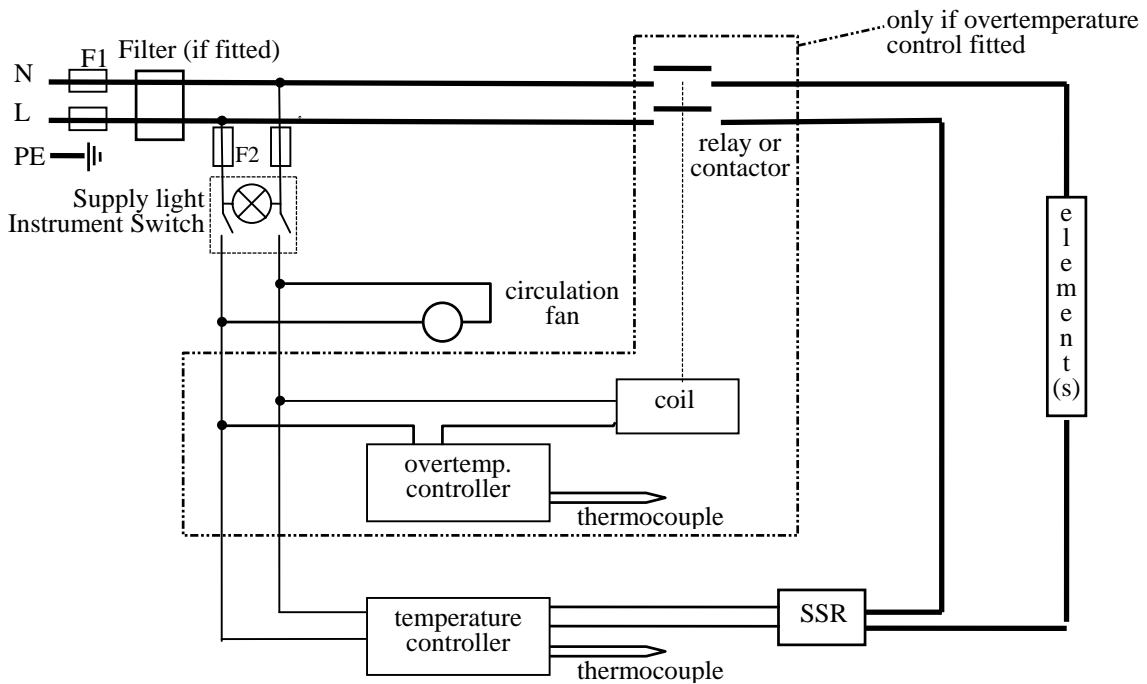
#### B. Oven Overheats

- |   |   |   |
|---|---|---|
| 1. Oven only heats up when the instrument switch is <b>ON</b> | → The controller shows a <b>very high temperature</b> | → The controller is faulty  |
|   | → The controller shows a <b>low temperature</b>       | → The thermocouple may have been shorted out or may have been moved out of the oven |
|   |   | → The thermocouple may be mounted the wrong way round                               |
| 2. Oven heats up when the instrument switch is <b>OFF</b>     | → The SSR has failed "ON"                             | → The controller may be faulty  |
|   |   | → Check for an accidental wiring fault which could have overloaded the SSR          |

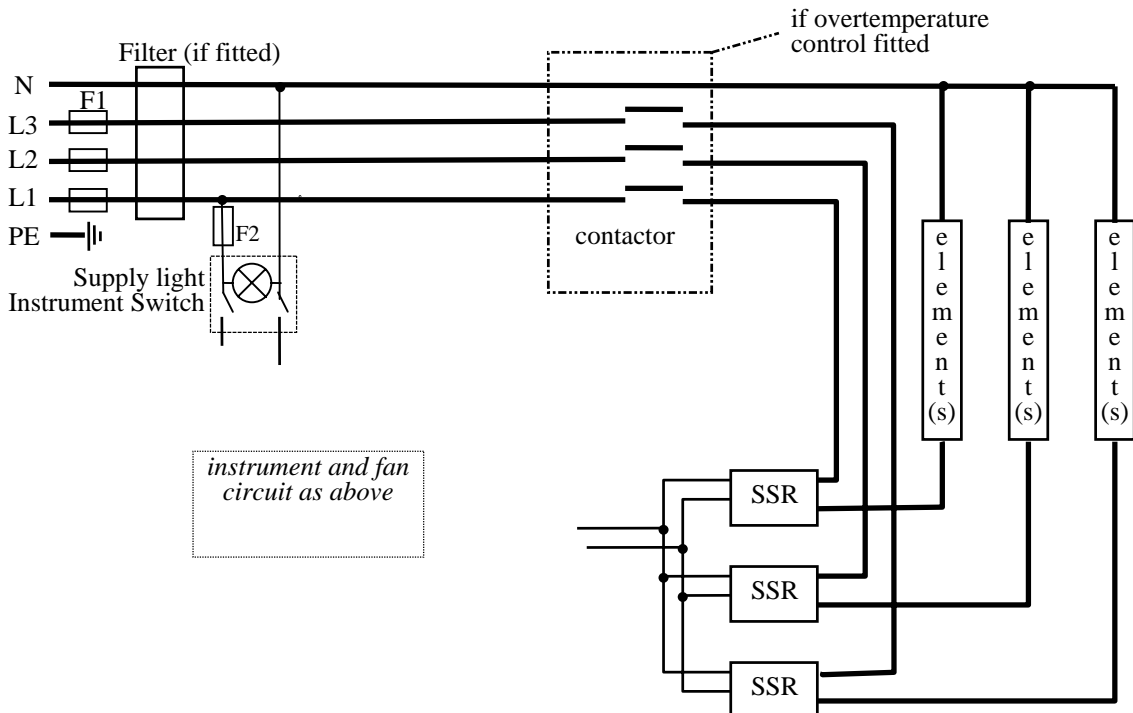


7.0 **CIRCUIT DIAGRAMS**

7.1 **Single Phase**

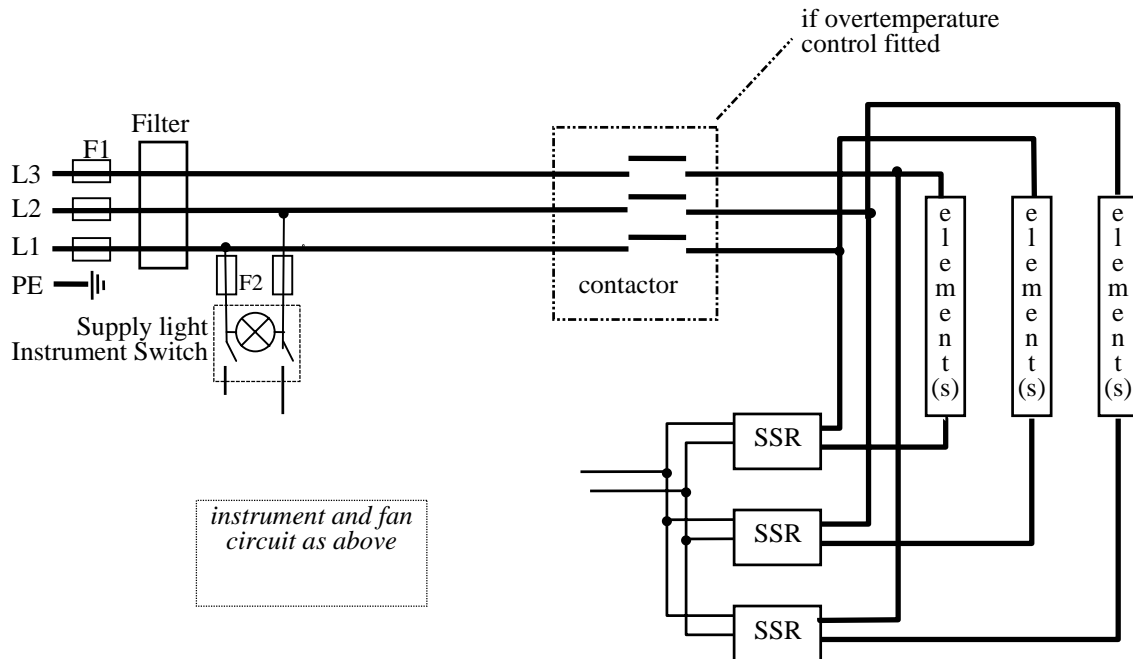


7.2 **Three Phase with Neutral**



*note on 3-phase: depending on EMC filter, there may be 3 neutral wires from the elements to the filter and terminal blocks*

**7.3 Three Phase without Neutral (delta e.g. 208-240V)**



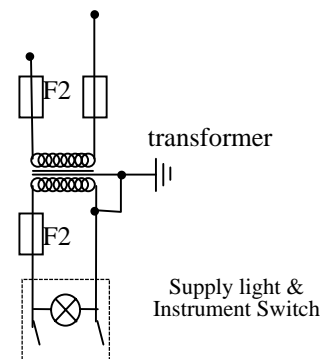
**7.4 Three phase without Neutral (star – e.g. 380-415V)**

The circuit is similar to 7.4, but the “neutral” ends of the elements are not connected to a neutral terminal block.

The control circuit contains an isolating transformer to reduce the control voltage to 240V or similar.

**7.5 Higher Voltages (e.g.254V)**

The control circuit contains an isolating transformer to reduce the control voltage to 240V or similar.



7.6 Stoving & Curing

The following addition is made to the circuit.

