

GMS H₂S Detection Head 0-100ppm GMI Part No. 59374

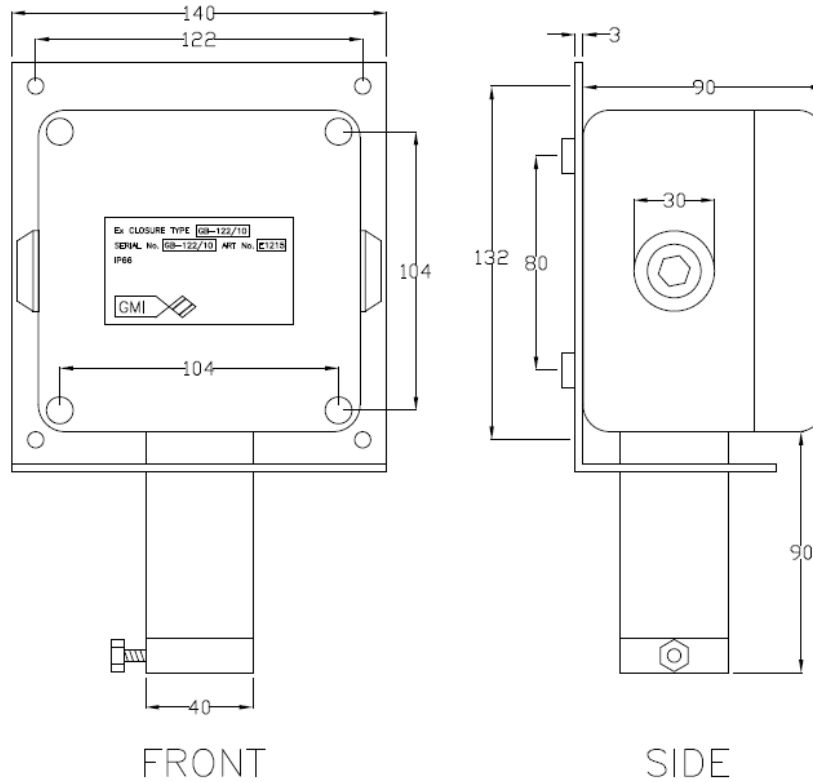
Gas Type:	Hydrogen Sulphide
Range:	0-100 PPM (Parts Per Million)
Size:	38.5mm x 90mm
Thread Connection:	20mm standard, others as required
Material:	EN 316 Stainless Steel or 1802 Stainless Steel
Connections:	Red – N.C. Yellow – Signal/Supply Blue – 0v
Output Signal:	4-20 mA. Linear
Supply Voltage:	24 Vdc \pm 10%
Operating Life:	24 months in air at STP
Warranty Life:	12 months
Warm-up Time:	5 minutes
Temperature Range:	-10°C to +40°C as standard
Pressure Range:	Atmospheric \pm 10%
Relative Humidity:	15 to 90% non condensing
Repeatability (typical):	+ / -2% of reading
Zero Stability:	+ / -1% FSD (Full Scale Deflection)
Response Time:	Typically 25 secs to T90 Typically 12 secs to T50
Certification:	Ex II 2 GD Eex d IIc T6



Gas Measurement Instruments Ltd



Dimensions:





Thank you for reading this data sheet.

For pricing or for further information, please contact us at our UK Office, using the details below.



UK Office

Keison Products,

P.O. Box 2124, Chelmsford, Essex, CM1 3UP, England.

Tel: +44 (0)330 088 0560

Fax: +44 (0)1245 808399

Email: sales@keison.co.uk

Please note - Product designs and specifications are subject to change without notice. The user is responsible for determining the suitability of this product.