



Bronze Relief Valves Dome Top - Screwed or Flanged Connections

Order Ref: **Metal Seat:** **G55-M-DN-X**
 TFM Seat: **G55-T-DN-X**
 Viton Seat: **G55-V-DN-X**
 Silicon Seat: **G55-SI-DN-X**

DN = Size in mm

X = Spring Range (see Chart Over)

GRESSWELL G55 RELIEF VALVES

Side Outlet discharge with leak proof Dome Cover over the adjusting screw. These valves are commonly used for preventing a safe pressure being exceeded in pressurised systems.

The lift is proportional to the system overpressure.

SIZE RANGE

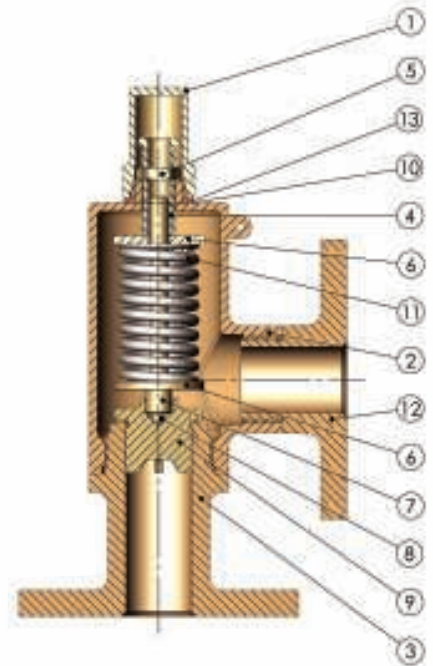
mm	15	20	25	32	40	50	65	80
ins	1/2	3/4	1	1 1/4	1 1/2	2	2 1/2	3

PIPE CONNECTIONS

Male Inlet x Female Outlet.

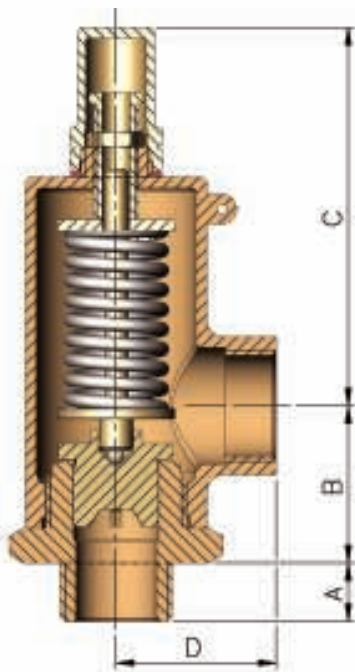
Standard valves are threaded BS 21:1985 Rp Parallel. Alternative thread standards, i.e. taper or NPT are available upon request.

Flanged connections also available. Most flange standards can be accommodated, e.g. ANSI, BS4504 - please specify requirements.



STANDARD SPECIFICATION

No.	Component	Material	No.	Component	Material
1	Dome Top	Cu Alloy BS EN 12164 CW617N	6	Spring Plate	Cu Alloy BS EN 12164 CW721R
2	Body	Cu Alloy BS EN 1982 CC491K	7	Spindle	Cu Alloy BS EN 12164 CW721R
3	Base (Metal Seat)	Cu Alloy BS EN 1982 CC491K	8	Ball	Chrome Steel AISA 52100
3T	TFM Seat	Dyneon™ TFM™ PTFE 1600	9	Valve	Cu Alloy BS EN 12165 CW602N
3V	Viton Seat	Viton 85 Brown	10	Label	Metallised Polymer
3S	Silicone Seat	Silicone 50 Blue	11	Spring 15 - 50mm	St. Steel BS2056 302 S26
3FL	Flanged Inlet	Cu Alloy BS EN 1982 CC491K		Spring 65 & 80mm	Carbon Steel BS5216 ND3
4	Adjusting Screw	Cu Alloy BS EN 12164 CW641N	12	Flanged Outlet	Cu Alloy BS EN 1982 CC491K
5	Lock Nut	Cu Alloy BS EN 12164 CW641N	13	Washer	Fibre



FEATURES & BENEFITS

Gresswell Valves are quality assurance approved to BS EN ISO 9001: 2000. Certificate No. 0910407.

Full Cat IV PED approval.

Only 4 springs are needed to cover the full pressure range.

Clear operating and maintenance instructions are supplied with each despatch.

Screwed/Flanged or a combination of both are available as standard.

See leaflet Ref: DC G55 & G90 for Discharge Capacities.

TESTING

All Gresswell Relief Valves are given a hydraulic seat tightness test before leaving the factory and the adjustment range is clearly marked.

All valves are supplied pre-set.

Flanged valves are pressure tested to ensure soundness of joints.

Special tests or witness testing can be arranged at extra cost.

DIMENSION CHART

Size	A	B	C	D	Weight (kg)
DN15	16	35	87	34	0.6
DN20	16	36	97	40	0.8
DN25	17	47	113	48	1.5
DN32	23	51	136	51	2.0
DN40	24	51	138	56	2.6
DN50	27	60	127	62	3.5
DN65	28	87	156	78	6.9
DN80	28	94	170	83	9.0

All dimensions in millimetres (mm)

Flange dimensions (available upon request) vary according to specification

SEAT TYPES - SPRING/PRESSURE RANGES

Seat Housing	Valve	Pressure Range	Temperature Range	Spring Range (bar & p.s.i.)			
				A (Low)	B (Medium)	C (High)	D (Special*)
Bronze	Bronze	to 21.0 bar (300 p.s.i.)	-15° to +225°C	0.2 - 3.5 (0 - 50)	3.5 - 10.5 (50 - 150)	10.5 - 21.0 (150 - 300)	N/A
Bronze TFM insert	Bronze	to 21.0 bar (300 p.s.i.)	-15° to +225°C	0.2 - 2.0 (0 - 30)	2.0 - 8.3 (30 - 120)	8.3 - 16.6 (120 - 260)	16.6 - 21.0 (260 - 300)
Bronze VITON seal†	Bronze	to 21.0 bar (300 p.s.i.)	-15° to +200°C	0.2 - 2.0 (0 - 30)	2.0 - 8.3 (30 - 120)	8.3 - 16.6 (120 - 260)	16.6 - 21.0 (260 - 300)
Bronze Silicon seal†	Bronze	to 21.0 bar (300 p.s.i.)	-15° to +180°C	0.2 - 2.0 (0 - 30)	2.0 - 8.3 (30 - 120)	8.3 - 16.6 (120 - 260)	16.6 - 21.0 (260 - 300)

* 32mm and 50mm only available for special orders, 65mm and 80mm not available.

† 65mm and 80mm not available.



Thank you for reading this data sheet.

For pricing or for further information, please contact us at our UK Office, using the details below.



UK Office

Keison Products,

P.O. Box 2124, Chelmsford, Essex, CM1 3UP, England.

Tel: +44 (0)1245 600560

Fax: +44 (0)1245 600030

Email: sales@keison.co.uk

Please note - Product designs and specifications are subject to change without notice. The user is responsible for determining the suitability of this product.