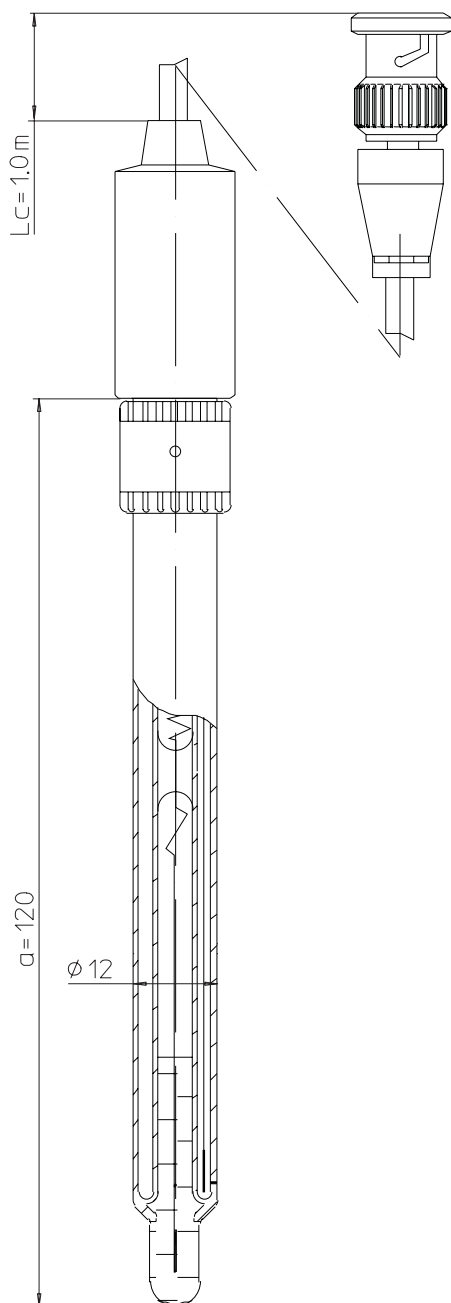


LE409**2-in-1****pH****Order number** 51340331

former order number -

Specifications

pH range 0 - 14

zero point (pH) 7.00 ± 0.25

temperature range 0 - 80 °C

temperature probe -

shaft material Glass

membrane glass HA

membrane resistance < 600 MΩ

reference system Ag / AgCl

reference diaphragm Ceramic

reference electrolyte 9811

bridge electrolyte -

electrode head LE cap

cable length 1.0 M

connector BNC

cell constant (cm⁻¹) -

cell type -

indicating metal -

Storage 3 mol/L KCl**Special features**

Suitable for dirty solution

Refillable reference electrolyte

Scale 1:1



Thank you for reading this data sheet.

For pricing or for further information, please contact us at our UK Office, using the details below.



UK Office

Keison Products,

P.O. Box 2124, Chelmsford, Essex, CM1 3UP, England.

Tel: +44 (0)330 088 0560

Fax: +44 (0)1245 808399

Email: sales@keison.co.uk

Please note - Product designs and specifications are subject to change without notice. The user is responsible for determining the suitability of this product.