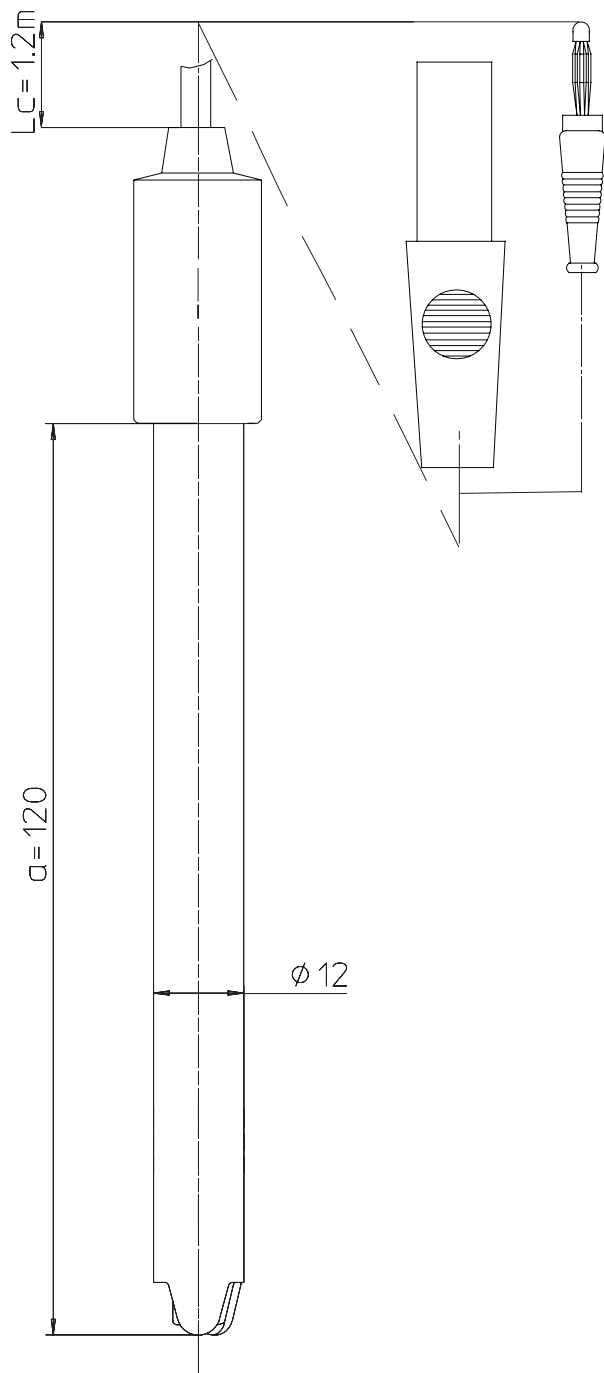


LE438 - DIN

(3-in-1)

pH



Order number 51340346

former order number -

Specifications

pH range 0 - 14

zero point (pH) 7.00 ± 0.25

temperature range 0 - 80 °C

temperature probe Pt1000

shaft material POM

membrane glass U

membrane resistance < 250 MΩ

reference system Ag / AgCl

reference diaphragm Nylon

reference electrolyte Gel

bridge electrolyte -

electrode head -

cable length 1.2 m

connector DIN / Banana

cell constant (cm⁻¹) -

cell type -

indicating metal -

Storage 3 mol/L KCl

Special features

Unbreakable, chemically resistant POM shaft

Integrated Pt1000 temperature probe

Scale 1:1



Thank you for reading this data sheet.

For pricing or for further information, please contact us at our UK Office, using the details below.



UK Office

Keison Products,

P.O. Box 2124, Chelmsford, Essex, CM1 3UP, England.

Tel: +44 (0)330 088 0560

Fax: +44 (0)1245 808399

Email: sales@keison.co.uk

Please note - Product designs and specifications are subject to change without notice. The user is responsible for determining the suitability of this product.