

7200 Monitor



Partech Instruments is a specialist company providing analysers and instruments for monitoring and control in; wastewater, raw water, industrial effluent and surface water applications.

Whatever the application and whatever the location, Partech will supply an effective and efficient service and a support package tailored to suit the customer

The 7200 Monitor combines with all the Partech infrared sensors to give a cost-effective solution to measurement of Suspended Solids, Turbidity and Sludge Density applications. The Monitor provides a large character display of the measured value combined with a scrolling information bar showing measurement status.

The menu structure includes set up wizards that will take the user through system configuration and routine calibration. The wizards will ensure quick, simple installation and easy maintenance without the need to refer to the instruction manual. The calibration routine incorporates a feature where the user can tell the instrument that a sample is being taken, wait for the result from the laboratory and then enter the value. The instrument will automatically be calibrated to the new result, in the time between taking the sample and entering the result the instrument will continue to operate on its previous calibration.

Additional features include statistics for maximum and minimum values and password protection of the keypad to ensure that the system setting cannot be altered in error.

The field mount enclosure is IP65 rated for outdoor installation, additional outer enclosures can be provided for harsh environments if necessary.



The 7200 Monitor has specifically been designed for ease of use and operation. The menu structure is intuitive and can normally be operated with a minimum of reference to the instruction manual. The monitor will operate from a variety of power supplies, the standard mains unit is 85-264 VAC, there are also options for 12 or 24 VDC.

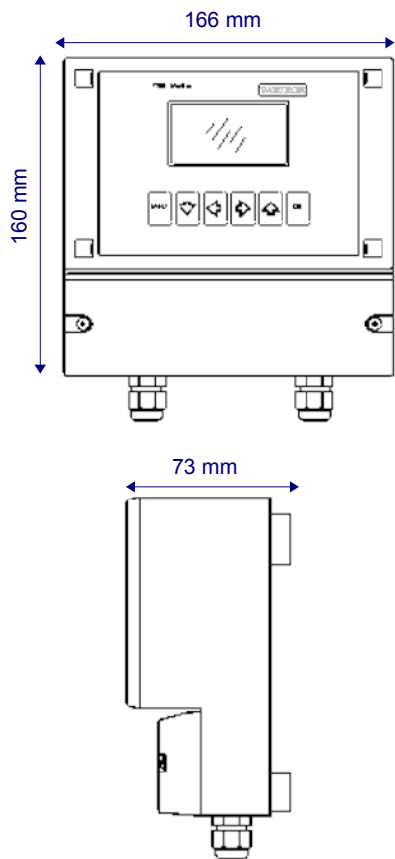
Compatible Sensors

- Turbi-Tech 2000LA
- Turbi-Tech 2000LS
- Soli-Tech 20 Sensor
- IL55 Sensor
- IL55BV2 Sensor

When used with the Turbi-Tech 2000LS sensor the 7200 Monitor is MCERTS certified, the first on the market.



7200 Monitor



Physical

Weight	1 kg
Dimensions (h x w x d)	160 x 166 x 73 mm
Enclosure Rating	IP65
Enclosure Material	ABS
Cable Entries	4 x PG11 (cable 5 to 10 mm)
Cable Size	Max Conductor Cross Section 2.5 mm ²

Environmental Data

Operating Temperature	-20 to 60°C
Storage Temperature	-20 to 60°C
Location	Indoor or Outdoor

Power Supply

Voltage	85-264 VAC, 12/24 DC option available
Power Consumption	15W

Analog Output

Number	1
Type	0/4-20 mA or 0-5 VDC
Max Load Resistance	1000 ohms

Measurement Details

Response Time	Typically < 5 seconds
---------------	-----------------------

Relay Outputs and Set Points

No	2
Contacts	SPCO
Rating	5A @ 230 VAC, 5A@125 VDC
Type	High, Low or Fault
Adjustment	0-100% Sensor Range
Hysteresis	0-10% Display Range
Local Annunciation	Alarm Condition shown on monitor status line

Serial Communications

RS232	Pending
Modbus	Pending
Profibus	Pending

User Interface

Display	Graphic Display providing 4 ½ Digit with 2 message lines
Setup	via 4 Button Membrane Keypad
Units of Measurement	mg/l, g/l, ppm, NTU, FTU, %SS, User Defined

Software

Remote Programming	No
--------------------	----

Mounting

Type	Surface
Bracket/Plate	Part Number 171280 for attachment to handrail

Approvals

EMC Standard	EN61326:1998 EMC Requirements for Electrical Equipment for Measuring, Control and Laboratory use
EMC Directive	89/336/EEC
Low Voltage Directive	73/23/EEC

Part Numbers

167200	7200 Monitor (115/230VAC Supply)
221258	7200 Monitor (12/24VDC Supply)
171280	Mounting Bracket for 7200 Monitor



Publication No: 162640-Iss04
The company reserves the right to alter the specification without prior notice. E&OE



Thank you for reading this data sheet.

For pricing or for further information, please contact us at our UK Office, using the details below.



UK Office

Keison Products,

P.O. Box 2124, Chelmsford, Essex, CM1 3UP, England.

Tel: +44 (0)1245 600560

Fax: +44 (0)1245 600030

Email: sales@keison.co.uk

Please note - Product designs and specifications are subject to change without notice. The user is responsible for determining the suitability of this product.