



**RAEGuard<sup>S</sup> EC**  
**Toxic Gas and Oxygen Transmitter**

**RAEGuard<sup>S</sup> LEL**  
**Combustible Gas Transmitter**

**RAEGuard<sup>S</sup> IR**  
**Non-Dispersive Infrared (NDIR)  
Transmitter**



**User's Guide**



## - READ BEFORE OPERATING -

This manual must be carefully read by all individuals who have or will have the responsibility of using, maintaining, or servicing this product. The product will perform as designed only if it is used, maintained, and serviced in accordance with the manufacturer's instructions. The user should understand how to set the correct parameters and interpret the obtained results.

### **CAUTION!**

To reduce the risk of electric shock, turn the power off before removing the instrument cover. Disconnect the power before removing the sensor module for service. Never operate the instrument when the cover is removed. Remove instrument cover and sensor module only in an area known to be non-hazardous.

### **WARNING!**

The calibration of all newly purchased RAE Systems instruments should be tested by exposing the sensors to known concentration calibration gas before the instrument is used or put into service. For maximum safety, the accuracy of the RAEGuard<sup>S</sup> should be checked by exposing the sensor(s) to known concentration calibration gas every three (3) months.

## Contents

|  |    |
|--|----|
| 1. General Information .....                   | 3  |
| 1.1 General Specifications.....                | 6  |
| RAEGuard <sup>S</sup> EC Specifications .....  | 6  |
| RAEGuard <sup>S</sup> IR Specifications.....   | 7  |
| RAEGuard <sup>S</sup> LEL Specifications ..... | 9  |
| 2. Operation .....                             | 10 |
| 2.1 Physical Description .....                 | 11 |
| 2.2 Installation and Access Instructions ..... | 11 |
| Mounting .....                                 | 12 |
| Instrument Assembly Removal.....               | 13 |
| Electrical Wiring.....                         | 14 |
| Instrument Assembly Installation.....          | 15 |
| Earth Grounding Instructions.....              | 16 |
| 2.3 Display And User Interface.....            | 18 |
| User Interface .....                           | 18 |
| Magnet Key .....                               | 18 |
| Using The Magnet Key .....                     | 19 |
| System Initialization.....                     | 19 |
| Reading Display .....                          | 20 |
| Alarm Contacts .....                           | 20 |
| 2.4 Calibration .....                          | 21 |
| Zero Calibration .....                         | 22 |
| Span Calibration .....                         | 23 |
| 2.5 Advanced Menu (EC & LEL) .....             | 25 |
| 2.6 Advanced Menu (IR).....                    | 31 |
| 2.7 Restoring Default Values (EC & LEL) .....  | 31 |
| 3. Theory of Operation.....                    | 33 |
| 4. Maintenance .....                           | 35 |
| 5. Troubleshooting.....                        | 35 |
| Table A: EC Sensor configuration .....         | 37 |
| 6. ModBus/RS-485 Information .....             | 38 |

# 1. General Information

**RAEGuard<sup>S</sup> EC** The RAEGuard<sup>S</sup> EC is a fixed electrochemical detector for oxygen and toxic gas (CO, H<sub>2</sub>S, SO<sub>2</sub>, NO, NO<sub>2</sub>, Cl<sub>2</sub>, O<sub>2</sub>, ClO<sub>2</sub>, NH<sub>3</sub>, PH<sub>3</sub>, HCN and ETO). It operates with voltages from 9 to 36 VDC and provides an analog (4 to 20mA) output signal and digital (RS-485, ModBus) output signal within the corresponding ranges of gas detection. The RAEGuard<sup>S</sup> EC uses an interchangeable electrochemical smart sensor, which can be pre-calibrated independently offline. Housed in an explosion-proof enclosure, the RAEGuard<sup>S</sup> EC is equipped with a local digital display of the gas concentration and unit of measurement, status LEDs, and function keys for performing calibration.

**RAEGuard<sup>S</sup> IR** The RAEGuard<sup>S</sup> IR is fixed non-dispersive infrared (NDIR) detector for hydrocarbon combustible gases, carbon dioxide, and other gases, It operates with voltages from 9 to 36 VDC and provides an analog (4 to 20mA) output signal and digital (RS-485, ModBus) output signal within the corresponding ranges of gas detection of 0 to 100% LEL or 0 to 50,000 ppm CO<sub>2</sub>. The RAEGuard<sup>S</sup> IR uses a smart NDIR sensor, which can be pre-calibrated independently offline. Housed in an explosion-proof stainless steel enclosure, the RAEGuard<sup>S</sup> IR is equipped with a local digital display of the gas concentration, status LEDs, and function keys for performing calibration.

**RAEGuard<sup>S</sup> LEL** The RAEGuard<sup>S</sup> LEL is a fixed, highly poison-resistant catalytic bead lower explosion limit (LEL) sensor for combustible gases detection. It operates with voltages from 9 to 36 VDC and provides an analog (4 to 20mA) output signal and digital (RS-485, ModBus) output signal within the corresponding range of 0 to 100% LEL. The RAEGuard<sup>S</sup> LEL uses a smart LEL sensor, which can be pre-calibrated independently offline. Housed in an explosion-proof stainless-steel enclosure, the RAEGuard<sup>S</sup> LEL is equipped with a local digital display of the gas concentration, status LEDs, and function keys for performing calibration.

# RAEGuard<sup>S</sup> EC / LEL / IR User's Guide

## Key features:

- Interchangeable smart electrochemical sensor that can be calibrated offline
- 4 to 20mA analog output signal.
- RS-485 digital communication in ModBus Protocol
- Explosion-proof stainless-steel enclosure for hazardous environment applications
- Magnetic-key interface eliminates the need to open the explosion-proof housing when adjusting parameters.
- LCD and status/error LEDs
- LED alarms when High or Low alarm point is reached
- Operation at 9 to 36 VDC
- Two dry contacts (<30V, 2A) normally open (or normally closed), one for High and Low alarm, another for Fault alarm

## Applications:

- Waste water treatment plants
- Petroleum and natural gas fields
- Marine and offshore oil wells
- Refineries and petrochemical plants
- Solvent recovery systems
- Chemical plants
- Industrial safety
- Sewers and pipelines
- Pulp & paper plants
- Heavy industry
- Power plants
- Steel mills

# RAEGuard<sup>S</sup> EC / LEL / IR User's Guide

## Hazardous Location Classification:

ATEX: II 2G Ex d IIC T6  $-40^{\circ}\text{C} \leq T_{\text{amb}} \leq +60^{\circ}\text{C}$   
Complies with EN60079-0 :2004, EN60079-1 :2004

## Example Of Name Plate On RAEGuard<sup>S</sup> Models:



### Notes:

Sensor Name is replaced by the actual sensor name.

FGM-1XXXXS is replaced by model number.

\* ≤ 4

\*\* Optional

## 1.1 General Specifications

### RAEGuard<sup>S</sup> EC Specifications

|                       |  |
|-----------------------|--|
| <b>Size</b>           | 7.4" L x 5.9" W x 4.3" H<br>188mm x 150mm x 109mm  |
| <b>Weight</b>         | 7.7 lbs<br>3.5 kg  |
| <b>Detector</b>       | Off-line pre-calibrated interchangeable smart electrochemical sensor   |
| <b>Calibration</b>    | 2-point calibration  |
| <b>Certification</b>  | ATEX: II 2G Ex d IIC T6 -40° C ≤ T <sub>amb</sub> ≤ +60° C<br>Complies with EN60079-0 :2004, EN60079-1 :2004 |
| <b>IP Rating</b>      | IP-65  |
| <b>Power</b>          | 9 to 36VDC, max 40mA at 24V or 1W  |
| <b>Output</b>         | 4-20mA<br>RS-485, baud-rate 4.8, 9.6 or 19.2kb/sec   |
| <b>Sampling</b>       | Internal diffusion   |
| <b>Display</b>        | 7-segment, 4-digit LCD and 4 color-coded alarm LEDs  |
| <b>User Interface</b> | Magnetically accessed keys for non-intrusive calibration and adjustment                                      |
| <b>Temperature</b>    | -40° C to 60° C  |
| <b>Humidity</b>       | 0% to 95% relatively humidity (non-condensing)   |
| <b>Pressure</b>       | 0.9 to 1.1 Atm   |
| <b>Dry contact</b>    | Max 30V, 2A  |
| <b>Dry Contacts</b>   | 30V, 2A, normally open (or normally closed), one for High and Low alarm, another for Fault alarm             |
| <b>Terminal</b>       | AWG 24-12  |
| <b>Mounting</b>       | 2 holes, 5.25" (133mm) from center to center   |

## RAEGuard<sup>S</sup> EC / LEL / IR User's Guide

### RAEGuard<sup>S</sup> IR Specifications

|   |  |
|---|--|
| <b>Size</b>                               | 6.6" L x 5.9" W x 4.3" H<br>168mm x 150mm x 109mm  |
| <b>Weight</b>                             | 7.7 lbs or 3.5 kg  |
| <b>Detector</b>                           | Protected, Off-line pre-calibrated,<br>interchangeable smart NDIR sensor   |
| <b>Calibration</b>                        | 2 point calibration  |
| <b>Range</b>                              | CO <sub>2</sub> : 0 to 50000 ppm<br>CH <sub>4</sub> : 0 to 100% LEL  |
| <b>Resolution</b>                         | CO <sub>2</sub> :<br>When CO <sub>2</sub> < 10000 ppm, resolution is 1 ppm;<br>When CO <sub>2</sub> ≥ 10000 ppm, resolution is 1000 ppm<br>CH <sub>4</sub> : resolution is 1% LEL. |
| <b>Response Time<br/>(T<sub>90</sub>)</b> | T <sub>90</sub> ≤ 30 seconds   |
| <b>Certification</b>                      | ATEX: II 2G Ex d IIC T6 -40° C ≤ T <sub>amb</sub> ≤ +60° C<br>Complies with EN60079-0 :2004, EN60079-1 :2004   |
| <b>IP Rating</b>                          | IP-65  |
| <b>Power</b>                              | 9 to 36VDC, max 60mA at 24V or 1.5W  |
| <b>Output</b>                             | 4-20mA<br>RS-485<br>Baud rate: 4.8, 9.6 or 19.2kb/sec  |
| <b>Sampling</b>                           | Internal diffusion   |
| <b>Display</b>                            | 7-segment, 4-digit LCD<br>4 color-coded LEDs   |
| <b>User Interface</b>                     | Magnetically accessed keys for non-intrusive<br>calibration and adjustment   |
| <b>Operating<br/>Temperature</b>          | CO <sub>2</sub> : -20° C to +60° C<br>CH <sub>4</sub> : -40° C to +60° C   |
| <b>Humidity</b>                           | 0 to 95% relative humidity (non-condensing)  |
| <b>Pressure</b>                           | 0.9 to 1.1 Atm   |
| <b>Dry Contacts</b>                       | 30V, 2A, normally open (or normally closed), one<br>for High and Low alarm, another for Fault alarm  |
| <b>Terminal</b>                           | AWG 24 to 12 (diameter 0.5mm to 2mm)   |
| <b>Mounting</b>                           | 2 holes 5.25" (133mm), from center to center   |

## RAEGuard<sup>S</sup> EC / LEL / IR User's Guide

### RAEGuard<sup>S</sup> IR Default Sensor Settings

| Gas                               | Range           | Resolution         | Span Gas              |
|-----------------------------------|-----------------|--------------------|-----------------------|
| Carbon Dioxide (CO <sub>2</sub> ) | 0 to 50,000 ppm | 10 ppm or 1000 ppm | 2000 ppm to 10000 ppm |
| Methane (CH <sub>4</sub> )        | 0 to 100% LEL   | 1% LEL             | 20% LEL to 99% LEL    |

**Note:** When CO<sub>2</sub> < 10000 ppm, the LCD displays the reading. When CO<sub>2</sub> ≥ 10000, the LCD displays **X.XE4** (which represents X.X x 10<sup>4</sup>). For example, when the monitor display **1.5E4**, it means 15000 ppm; when the LCD displays **3.6E4**, it means 36000 ppm. The LCD on the RAEGuard<sup>S</sup> IR CH<sub>4</sub> displays the %LEL (percentage of LEL) reading. For example, when the LCD displays **25**, it means 25% LEL; when the LCD displays **75**, it means 75% LEL.

## RAEGuard<sup>S</sup> EC / LEL / IR User's Guide

### RAEGuard<sup>S</sup> LEL Specifications

|   |  |
|---|--|
| <b>Size</b>                               | 6.6" L x 5.9" W x 4.3" H<br>168mm x 150mm x 109mm  |
| <b>Weight</b>                             | 7.7 lbs or 3.5 kg  |
| <b>Detector</b>                           | Protected, Off-line pre-calibrated,<br>interchangeable catalytic bead smart LEL<br>sensor                        |
| <b>Calibration</b>                        | 2 point calibration  |
| <b>Range</b>                              | 0 to 100% LEL  |
| <b>Resolution</b>                         | 1% LEL   |
| <b>Response Time<br/>(T<sub>90</sub>)</b> | ≤15 seconds to 90% of reading to 50% LEL<br>methane  |
| <b>Certification</b>                      | ATEX: II 2G Ex d IIC T6 -40° C ≤ T <sub>amb</sub> ≤ +60° C<br>Complies with EN60079-0 :2004, EN60079-<br>1 :2004 |
| <b>IP Rating</b>                          | IP-65  |
| <b>Power</b>                              | 9 to 36VDC, max 60mA at 24V or 1.5W  |
| <b>Output</b>                             | 4-20mA<br>RS-485, Baud-rate 4.8, 9.6 or 19.2kb/sec   |
| <b>Sampling</b>                           | Internal diffusion   |
| <b>Display</b>                            | 7-segment, 4-digit LCD<br>4 color-coded LEDs   |
| <b>User Interface</b>                     | Magnetically accessed keys for non-<br>intrusive calibration and adjustment                                      |
| <b>Operating<br/>Temperature</b>          | -40° C to +60° C   |
| <b>Humidity</b>                           | 0 to 95% relative humidity (non-condensing)  |
| <b>Pressure</b>                           | 0.9 to 1.1 Atm   |
| <b>Dry Contacts</b>                       | 30V, 2A, normally open (or normally closed),<br>one for High and Low alarm, another for<br>Fault alarm           |
| <b>Terminal</b>                           | AWG 24 to AWG 12 (diameter 0.5mm to<br>2mm)  |
| <b>Mounting</b>                           | 2 holes, 5.25" (133mm) from center to<br>center  |

## 2. Operation

The calibration of all newly purchased RAE Systems instruments should be tested by exposing the sensor(s) to a known concentration calibration gas before the instrument is used or put into service. For maximum safety, the accuracy of the RAEGuard<sup>S</sup> EC should be checked by exposing the sensor(s) to a known concentration calibration gas, after a period of time.

Calibration should be verified daily during the period of initial use in the intended atmosphere to ensure nothing is poisoning the sensor(s). The period of initial use must be of sufficient duration to ensure that the sensors are exposed to all conditions that might have an adverse effect on the sensors.

Verify the calibration with a known concentration test gas before use. This "bump" test is very simple. Recalibrate the unit if readings are off.

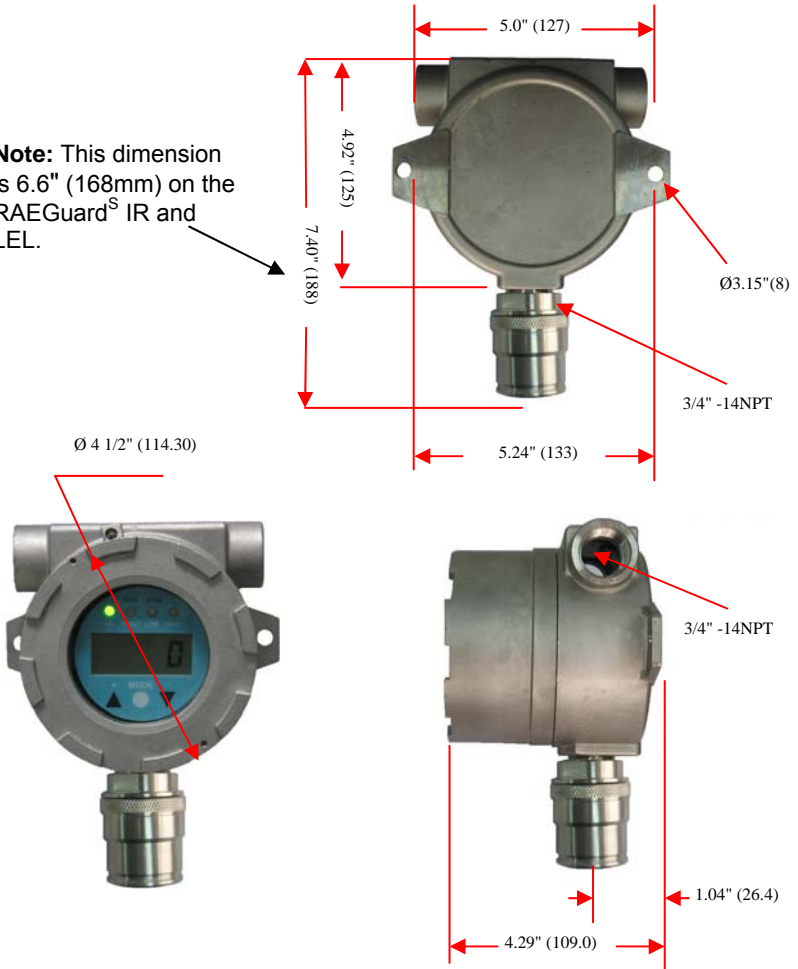
Prior to factory shipment, the RAEGuard<sup>S</sup> EC is calibrated and tested using span gas. However, the user should calibrate the instrument before the first use. After the unit is installed, run for 24 hours, and calibrated, it is ready for immediate operation. Calibration setting values for EC sensors are shown as Table A (on page 32).

**Kit Accessories include:** Calibration Adapter, RAEGuard Magnet Key, and User's Guide.

## 2.1 Physical Description

The design of RAEGuard<sup>S</sup> allows it to be easily mounted and interfaced to a fixed-point gas monitoring system. The RAEGuard<sup>S</sup> EC and LEL are housed in a 7.4" L x 5.9" W x 4.3" H (188mm x 150mm x 109mm) case with two holes 5.25" (133 mm) from center to center. The RAEGuard<sup>S</sup> IR's dimensions vary slightly because of the sensor size: 6.6" L x 5.9" W x 4.3" H (168mm x 150mm x 109mm).

**Note:** This dimension is 6.6" (168mm) on the RAEGuard<sup>S</sup> IR and LEL.



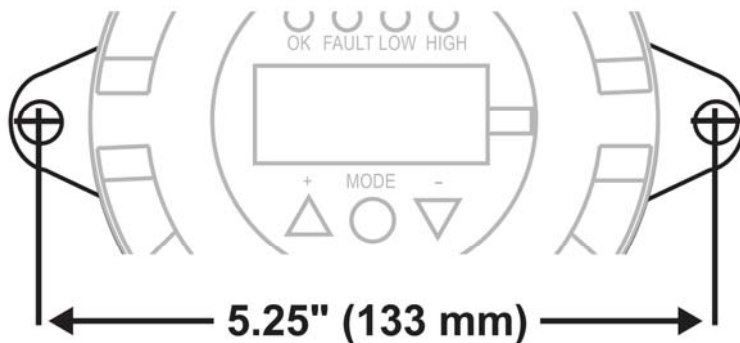
## 2.2 Installation and Access Instructions

### WARNING

1. A minimum of 18" (457mm) of explosion-proof conduit must be used at cable entry in group A and B atmospheres. CSA requires seals in conduit exceeding 5' (1.524 m) in group C atmospheres.
2. To prevent ignition of hazardous atmospheres, area must be free of flammable vapors and supply circuit must be disconnected before removing cover.
3. For European application, the installation must comply with the requirements of EN 60079-14.

### Mounting

First, decide where the transmitter will be mounted. (Refer to installation drawing, below.) Drill two holes in mounting surface, with the center of the holes 5.25" (133mm) apart.



## RAEGuard<sup>S</sup> EC / LEL / IR User's Guide

### Instrument Assembly Removal (EC and LEL)



Prior to service: Make sure power is OFF. Observe all Hazardous Location Safety procedures.



1. Unscrew the housing lid from the housing body by rotating it counter-clockwise. As shipped, one of the conduit holes is covered by the provided hex-head plug. The other conduit is shipped with connected wires.

2. Pull off the retaining clip to release the instrument assembly.



3. Tilt the instrument assembly 90°.
4. Unlock the black 16-pin connector.
5. Lift the entire instrument assembly out of the housing.



6. Unlock the white 8-pin connector.
7. Remove the sensor.

Picture shows disassembled instrument

## Instrument Assembly Removal (IR)



Prior to service: Make sure power is OFF. Observe all Hazardous Location Safety procedures.



1. Unscrew the housing lid from the housing body by rotating it counter-clockwise. As shipped, one of the conduit holes is covered by the provided hex-head plug. The other conduit is shipped with connected wires.

2. Pull off the retaining clip to release the instrument assembly.



6. Tilt the instrument assembly 90°.
7. Unlock the 20-pin connector.
8. Lift the entire instrument assembly out of the housing.

6. Unlock the 12-pin connector.
7. Remove the sensor.

Picture shows disassembled instrument

# RAEGuard<sup>S</sup> EC / LEL / IR User's Guide

## Electrical Wiring

1. Inside the housing bottom, unplug the two green terminal block plugs from the terminal block on the PC boards. **Note:** The terminal block plugs accept 12 AWG to 24 AWG wire.



2. Lace the wires through the RAEGuard<sup>S</sup> EC's wire hole(s) and connect wires to the corresponding pin numbers of the terminal blocks:

| Terminal | Wire                              | Pin# |
|----------|-----------------------------------|------|
| Block 1  | Alarm Common (COM)                | 1    |
|          | High/Low Alarm (ALM1)             | 2    |
|          | Fault Alarm (ALM2)                | 3    |
|          | RS485A (485A)                     | 4    |
|          | RS485B (485B)                     | 5    |
| Block 2  | 4-20 mA Output (4-20mA)           | 6    |
|          | Power Supply - Output Common (P-) | 7    |
|          | Power Supply + (9 to 36VDC) (P+)  | 8    |

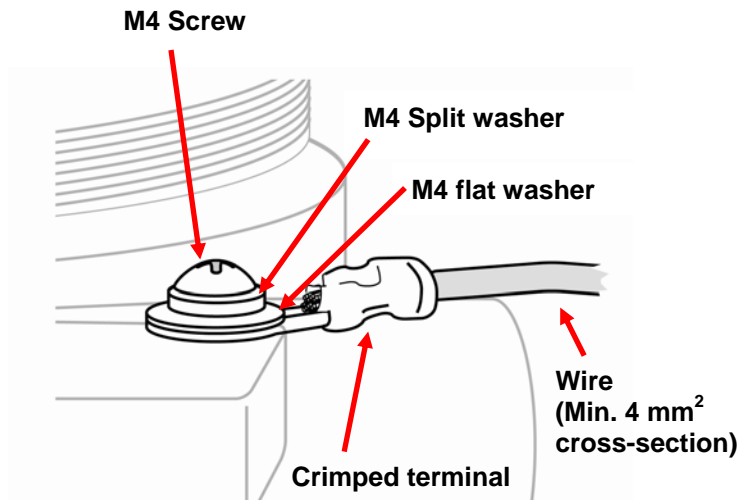
## Instrument Assembly Installation

1. Plug all terminal block plugs into the correct terminal block headers. Keep the extra wires as close to the inside enclosure wall as possible.
2. Screw the sensor module to the housing and plug the 8-pin (EC) or 10-pin (LEL model) or 12-pin (IR model) connector back into its socket.
3. Plug the 16-pin (EC or LEL model) or 20-pin (IR model) connector back into its socket.
4. Pull off the clip to place the instrument assembly back into the housing bottom.
5. Tightly screw the housing top to the housing bottom.

## Earth Grounding Instructions

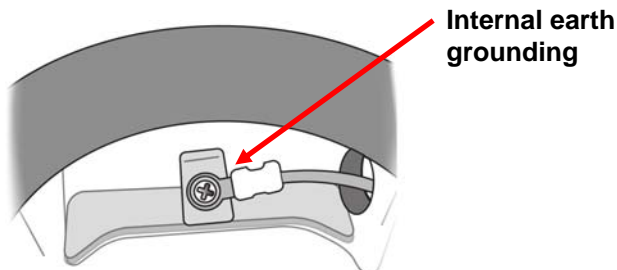
### External Earth Grounding

Fasten the crimped ground wire with hardware as illustrated below. The wire should have a minimum cross-section area of  $4\text{mm}^2$  for its conductor.



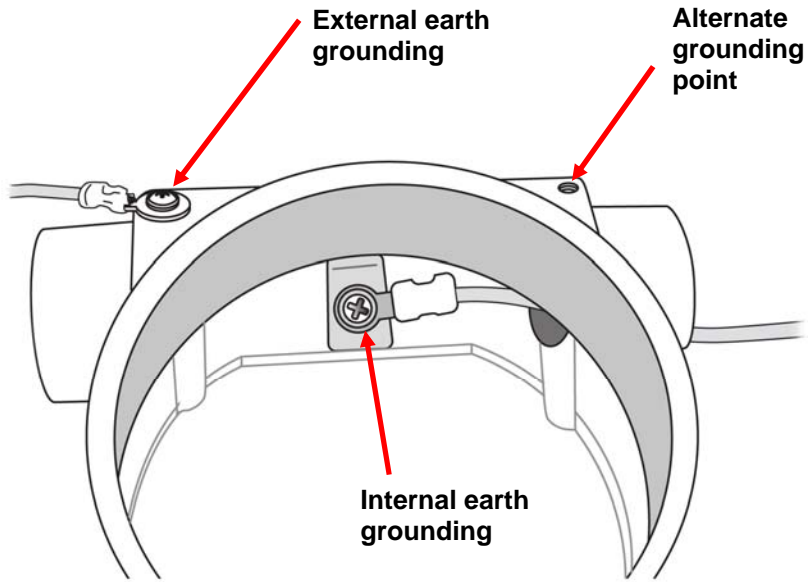
### Internal Earth Grounding

Use the same hardware as shown in the illustration of external earth grounding. The wire should be no less than the size of the power lines.



## Finished Grounding Wires

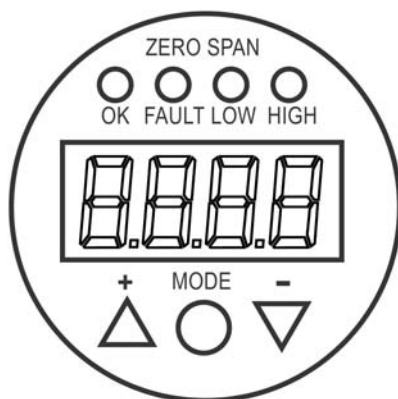
Internal and external grounding are shown here, as well as an alternate external grounding point. Always follow local electrical guidelines.



## 2.3 Display And User Interface

### User Interface

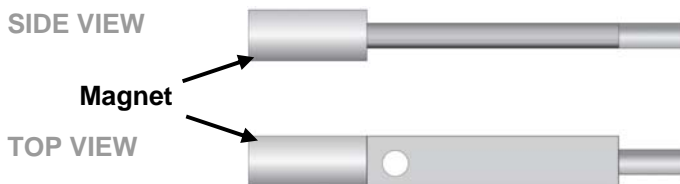
The RAEGuard<sup>S</sup> EC's user interface consists of four status LEDs, a 4-digit LCD display, and three keys, [+], [MODE], and [-]. The three keys are operated by using the Magnet Key.



RAEGuard<sup>S</sup> EC user interface.

### Magnet Key

The RAEGuard<sup>S</sup> EC has no external switches, but instead uses the magnetic end of the RAEGuard Magnet Key (p/n 033-2032-000) to activate switches built into the unit.



RAEGuard Magnet Key.

## RAEGuard<sup>S</sup> EC / LEL / IR User's Guide

### Using The Magnet Key

Using the magnet end of the Magnet Key, briefly touch the glass above the MODE circle or the triangles labeled [+] and [-]. Then remove the key straight out and away from the RAEGuard<sup>S</sup> EC.



**RAEGuard Magnet Key touching glass above the [+] triangle.**

**Important!** Never drag the key sideways, or two functions may be activated.

### System Initialization

When the RAEGuard<sup>S</sup> EC system power is turned on, it initializes and an “InIt” message appears on the display. As the transmitter is warming up, each component is checked, and the LEDs blink all at once. The countdown timer appears on the screen for the warm-up.

## RAEGuard<sup>S</sup> EC / LEL / IR User's Guide

### Reading Display

As the transmitter enters the Reading Display, it automatically starts testing for errors and goes through a cycle of checking each alarm condition. If there are no errors or alarm conditions, the green "OK" LED is lit and the gas concentration is displayed.

If there is an error, the "Fault" LED blinks and an error message blinks. Each alarm condition has a corresponding LED that blinks an amber color when the readings are outside a specified range or limit.

### Alarm Contacts

The alarm contacts or alarm relay can be used to drive user-supplied external alarms such as a light or buzzer. The external alarms open in normal conditions and close when an alarm occurs.

### Default Alarm Relay Logic

|                          | External Alarm | LED   | LCD                     | Analog Output    |
|--------------------------|----------------|-------|-------------------------|------------------|
| Exceeds Low alarm limit  | ALM 1 Alarm    | Low   | reading                 | Based on reading |
| Exceeds High alarm limit | ALM 1 Alarm    | High  | reading                 | Based on reading |
| Over Range               | ALM 2 Alarm    | High  | <b>8888</b>             | 22mA             |
| Calibration fail         | ALM 2 Alarm    | Fault | Flashing<br><b>E003</b> | 2mA              |
| Sensor drift*            | ALM 2 Alarm    | Fault | Flashing<br><b>E004</b> | 2mA              |
| ADC saturated<br>*(max)  | ALM 2 Alarm    | Fault | Flashing<br><b>E005</b> | 2mA              |

\* RAEGuard<sup>S</sup> EC and LEL only.

## 2.4 Calibration

### WARNING

The calibration of all newly purchased RAE Systems instruments should be tested by exposing the sensor(s) to a known concentration calibration gas before the instrument is used or put into service. For maximum safety, the accuracy of the RAEGuard<sup>S</sup> should be checked by exposing the sensor to a known concentration calibration gas, after a period of time.

The RAEGuard<sup>S</sup> is calibrated using a two-point calibration process. First, use a “zero gas.” Then use a “span gas” containing a known concentration of a standard reference gas, to set the second point of reference. **Note:** The zero calibration must be performed before the span calibration.



RAEGuard<sup>S</sup> connected to gas cylinder with a calibration adapter.

Gas calibration requires a bottle of zero gas, a bottle of span gas, and a calibration adapter.

## RAEGuard<sup>S</sup> EC / LEL / IR User's Guide

### Zero Calibration

1. Connect the zero gas cylinder to the metal filter gas adapter on the RAEGuard<sup>S</sup> transmitter using the provided calibration adapter.
2. To access the Calibration menu, press [MODE] from the Reading Display. Zero calibration appears first, as indicated by the "Zero" message on the screen.

**Optional:** To advance to span calibration, press [MODE] a second time. "Span" appears on the screen. Skip to Span Calibration instructions on the next page.

**Optional:** To exit the Calibration menu, press [-] to return to the Reading Display.

3. Turn on the gas flow. Allow gas to flow into the sensor for 30 seconds before zero calibration. Then press [+] to start calibration. The "Zero" LED starts blinking, and the "Zero" message alternates with a countdown timer.

**Optional:** Before the countdown reaches zero, you may press any key to interrupt zero calibration and advance to span calibration.

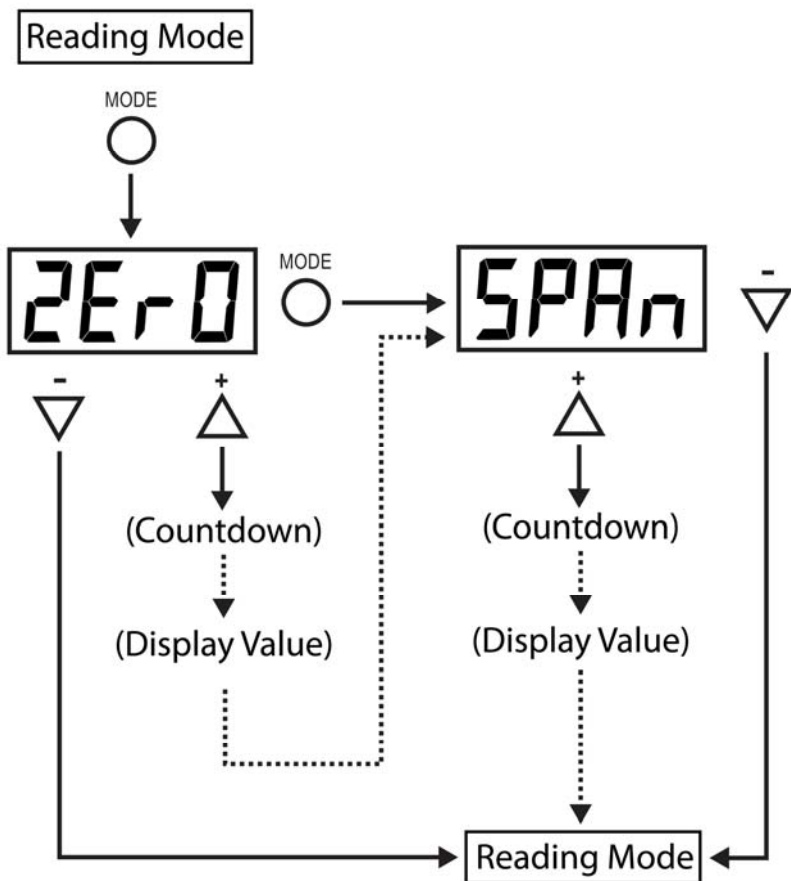
4. Once the countdown reaches zero, the "Zero" LED stops blinking, and the zero calibration data is saved.

**Note:** The transmitter returns to the Reading Display after 60 seconds of idle time.

5. Turn off the zero calibration gas and remove the cylinder.

## RAEGuard<sup>S</sup> EC / LEL / IR User's Guide

Zero calibration automatically advances to span calibration when complete.



### Span Calibration

1. Connect the span gas cylinder to the metal filter gas adapter on the RAEGuard<sup>S</sup> transmitter using the provided calibration adapter.

## RAEGuard<sup>S</sup> EC / LEL / IR User's Guide

**Optional:** To access span calibration from the Reading Display, press [MODE]. After "Zero" appears on the screen, press [MODE] a second time to advance to span calibration.

**Optional:** To access span calibration after zero calibration has already started, press any key to advance to span calibration.

**Optional:** To exit the calibration menu, press [-] to return to the Reading Display.

**Note:** It is not necessary to exit manually. After 60 seconds of idle time, the RAEGuard<sup>S</sup> automatically returns to the Reading Display.

2. Turn on the gas flow. First, let gas flow into the sensor for 30 seconds before span calibration. Then press [+] to start calibration. The "Span" LED starts blinking. The "Span" message alternates with a countdown timer.

**Note:** Wait for the entire countdown for a complete calibration.

**Optional:** Before the countdown reaches zero, you may press any key to interrupt span calibration and return to the Reading Display.

3. Once the countdown reaches zero, the "Span" LED stops blinking.
4. If the sensor sensitivity is unacceptable, the screen alternately flashes a "Span" and "FAIL" message until any key is pressed.

**Note:** If span calibration fails, it may be necessary to replace the sensor.

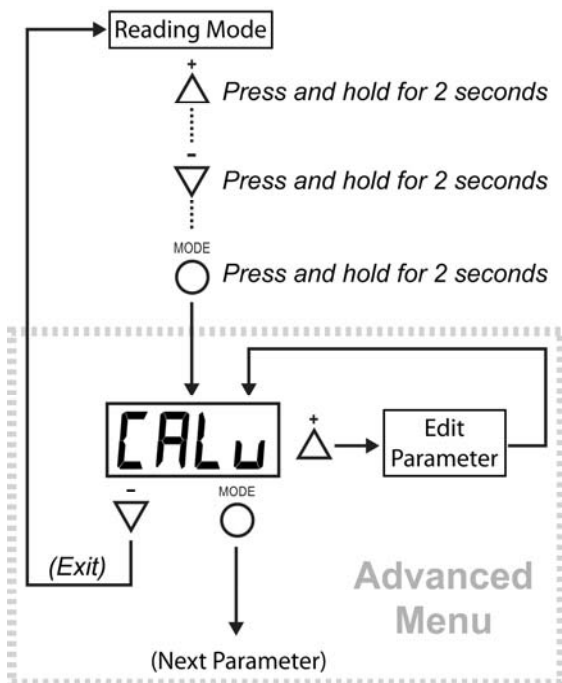
5. You may choose to press [-] or [MODE] to return to zero calibration and restart the entire calibration process, or press [+] to go to the Reading Display.

## RAEGuard<sup>S</sup> EC / LEL / IR User's Guide

6. If the sensor's sensitivity is acceptable, the span data is calculated and saved.
7. The calibration procedure is complete. After a few seconds, the transmitter returns to the Reading Display.
8. Turn off span calibration gas and remove the cylinder.

### 2.5 Advanced Menu (EC & LEL)

The Advanced menu on the RAEGuard<sup>S</sup> EC and LEL allows you to change the values for each reading and setup option. To access the Advanced menu from the Reading Display, first press [+], [-], and then [MODE] in sequence. Then scroll through the parameters shown below by pressing [MODE].



Once you have entered the Advanced Menu, you can edit the parameters for each item in the list.

## RAEGuard<sup>S</sup> EC / LEL / IR User's Guide

**Note:** Anytime a submenu screen is idle for more than 60 seconds, the transmitter returns to the Reading Display.

### Advanced Menu

| Display | Explanation  |
|---------|--|
| CALu    | Calibration Concentration Value                              |
| CF      | Correction Factor, only for RAEGuard <sup>S</sup> LEL and IR |
| LO      | Low Alarm  |
| HI      | High Alarm   |
| Id      | Client ID  |
| bAUd    | Baud rate. Supports 19200, 9600, or 4800                     |
| LItE    | Backlight  |
| Aout    | Analog output 4mA and 20mA adjustment                        |
| tESt    | Test Function of LED, External Alarm, and 4-20mA             |

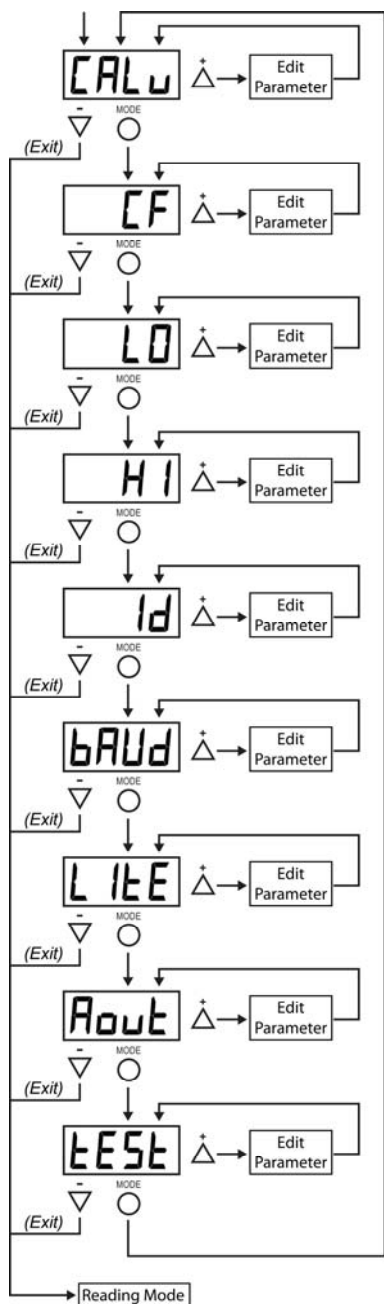
- To change a value, press [MODE] until the desired parameter appears.
- Press [+] to enter the Process Menu.
- To increase a value, press [+].
- To decrease a value, press [-].
- When finished changing the value, press [MODE].

If a value has changed, the new value blinks on the LCD.

- Press [-] or [MODE] to discard changes and advance to the next submenu item.
- Press [+] to save changes.

The "SAVE" message appears on the screen to confirm changes have been saved.

## RAEGuard<sup>S</sup> EC / LEL / IR User's Guide

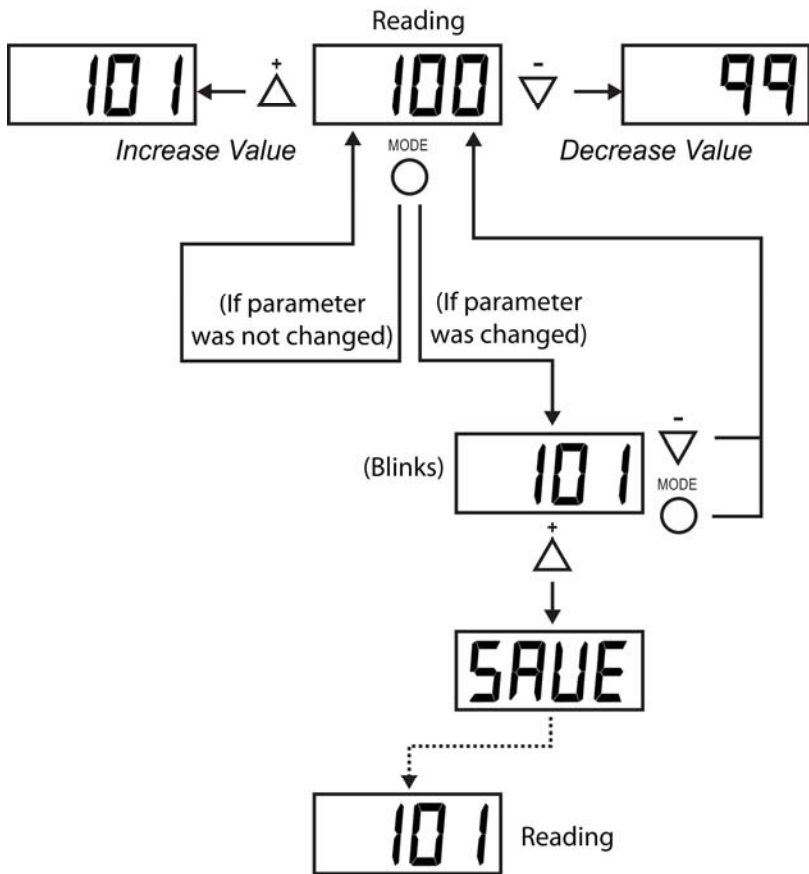


After entering the Advanced Menu, step through the parameters by pressing [MODE]. To edit a parameter, press [+]. The screen shows the current reading value of the parameter.

You can exit Advanced Menu at any screen by pressing [-]. In addition, Advanced Menu is automatically exited if you do not make any changes within 60 seconds.

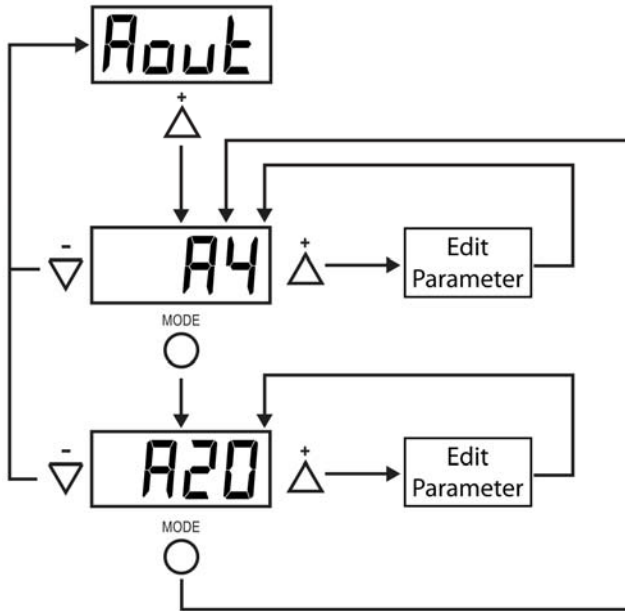
## RAEGuard<sup>S</sup> EC / LEL / IR User's Guide

This diagram shows how to edit parameter values and save changes for most of the parameters:



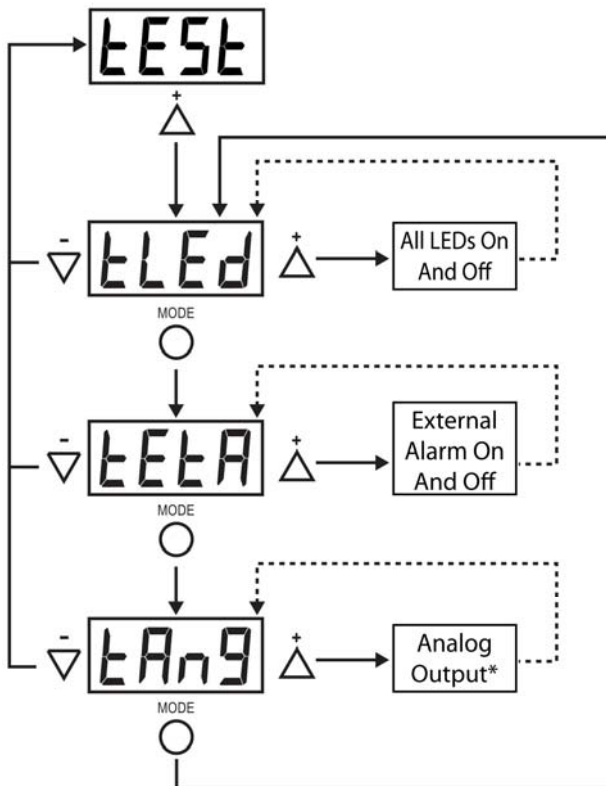
## RAEGuard<sup>S</sup> EC / LEL / IR User's Guide

This diagram shows the submenu of parameters for the 4-20mA Analog Menu:



## RAEGuard<sup>S</sup> EC / LEL / IR User's Guide

This diagram shows the submenu of parameters for the Test Menu:



\* The analog output steps from 4mA to 20mA in 1mA steps and then steps back down to 4mA before returning to the upper menu. Each step is held for 3 seconds. Press any key to interrupt the process.

## 2.6 Advanced Menu (IR)

The Advanced menu allows the user to change the values for each reading and setup option. To access the Advanced menu from the Reading Display, first press **[+]**, **[-]**, and then **[MODE]** in sequence. Then scroll through the parameters shown below by pressing **[MODE]**.

Anytime a submenu screen is idle for more than 60 seconds, the transmitter will return to the Reading Display.

### Advanced Menu

| Submenu                    | LCD display   | Default  |
|----------------------------|---|--|
| Standard gas concentration | CO <sub>2</sub> : C5E3<br>(represents 5000 ppm)<br>CH <sub>4</sub> : C050<br>(represents 50% LEL) | CO <sub>2</sub> : C5E3<br><br>CH <sub>4</sub> : C050 |
| Low alarm                  | CO <sub>2</sub> : L4E3 (4000 ppm)<br>CH <sub>4</sub> : L020 (20% LEL)                             | CO <sub>2</sub> : L4E3<br>CH <sub>4</sub> : L020     |
| High alarm                 | CO <sub>2</sub> : H8E3 (8000 ppm)<br>CH <sub>4</sub> : H050 (50% LEL)                             | CO <sub>2</sub> : H8E3<br>CH <sub>4</sub> : H050     |
| User ID                    | IdXX  | Id00   |
| Baud-rate (kBaud)          | B19.2, B09.6, B04.8<br>(19200, 9600, and 4800)  | B09.6  |
| 4mA output adjust          | A04   |  |
| 20mA output adjust         | A20   |  |

## RAEGuard<sup>S</sup> EC / LEL / IR User's Guide

To change a value, press **[MODE]** until the desired parameter appears. Then press **[+]** to enter the Process Menu.

- To increase a value, press **[+]**.
- To decrease a value, press **[-]**.

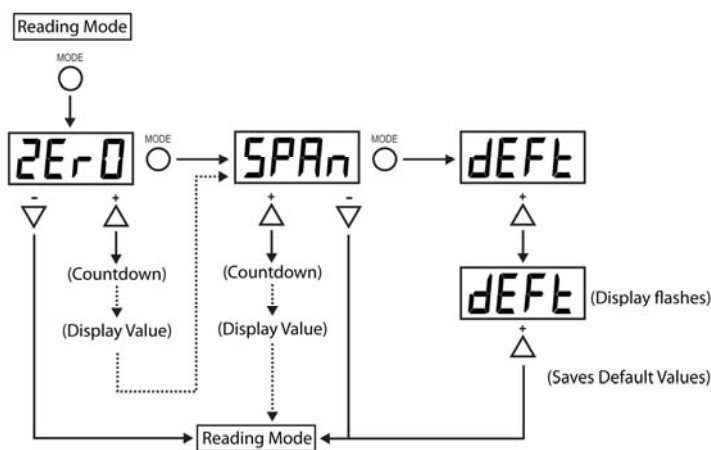
Press **[MODE]** when finished changing the value. If a value has changed, the new value blinks on the LCD.

- Press **[-]** or **[MODE]** to discard changes and advance to the next submenu item.
- Press **[+]** to save changes. The "SAVE" message appears on the screen to confirm changes have been saved.

## 2.7 Restoring Default Values (EC & LEL)

You can reset all values in the RAEGuard<sup>S</sup> EC and LEL to factory default values. Follow this procedure:

1. Press **[MODE]** to Zero.
2. Press **[MODE]** to SPAN.
3. Press **[MODE]** key to show DEFT in the display.
4. Press **[+]**. The display flashes DEFT and awaits confirmation.
5. Press **[+]** to Save the change. All data is cleared and the default values are now restored.



### 3. Theory of Operation

The **RAEGuard<sup>S</sup> EC** uses electrochemical sensors. The electrons generated at the working electrode travel via the contact pins to be measured at the external circuit and are returned to the counter electrode to complete the circuit, The current of the sensor response is proportional to the related EC sensors' gas concentration.

The **RAEGuard<sup>S</sup> IR** is based on the patented technology of non-dispersive infrared (NDIR) for hydrocarbon, carbon dioxide and other gas detection. After sample gas diffuses into the infrared optical gas sensor, the electro-magnetic radiation cause oscillation on gas molecules. If this happens the oscillation reduces the amount of radiation, it absorbs a certain degree of radiation. The absorbance at specified wavelength is a measure of the present gas concentration.

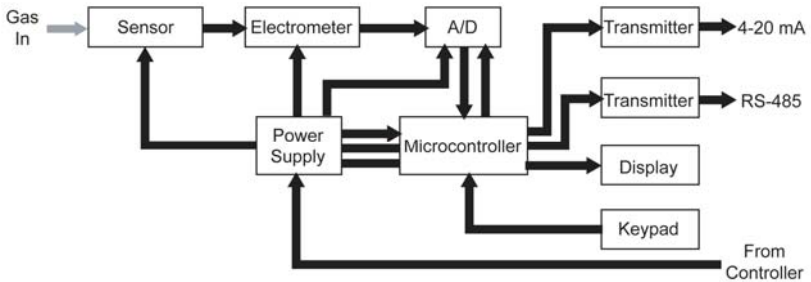
The **RAEGuard<sup>S</sup> LEL** uses a highly poison-resistant catalytic bead lower explosion limit (LEL) sensor. After sample gas diffuses through the metal sinter into the combustion chamber, a pair of combustion elements inside the combustion chamber burns the combustible gas and generates an electrical signal.

The **RAEGuard<sup>S</sup>** is a microcontroller-based instrument. After the electrical signal is conditioned and converted to digital, the microcontroller processes the data, which displays the results locally and reconstructs the digital data into a standard 4-20 mA analog current output signal and RS-485 digital output signal.

The instrument has three magnetic sensing keys. The user may calibrate the transmitter and change the alarm level setting via the magnetic front-panel key pad.

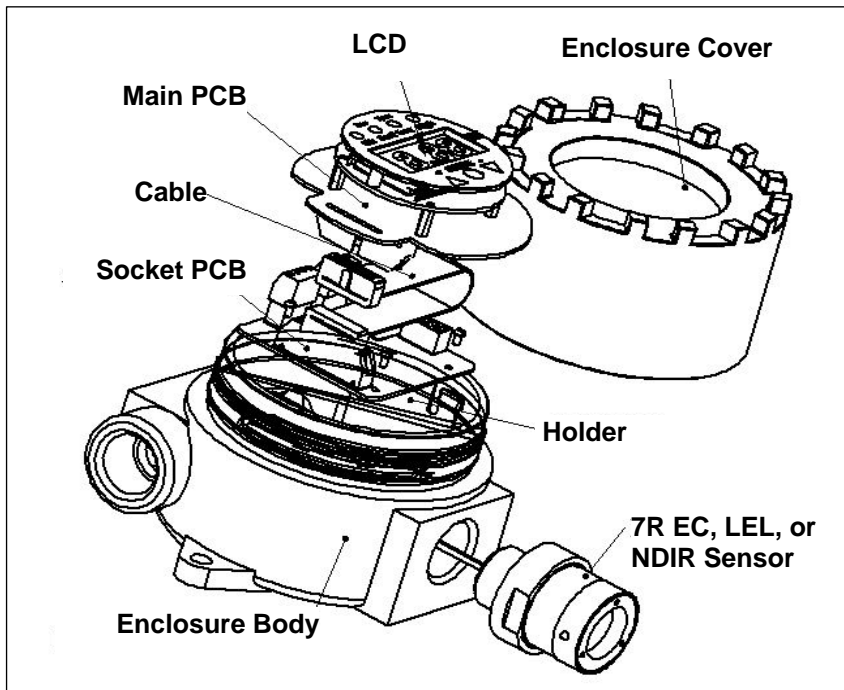
## RAEGuard<sup>S</sup> EC / LEL / IR User's Guide

The instrument is powered by a DC power supply located in a safe area. The power supply on the PC board contains a switching and linear regulator that converts the main input voltage to 3.3V and 5V DC to power the entire circuit.



## 4. Maintenance

As a guide, it is recommended to regularly “bump test” a RAEGuard<sup>S</sup> unit with a known percentage gas.



**Exploded View of RAEGuard<sup>S</sup> EC and LEL Components**

Periodically examine the sensor's opening to make sure it is not dirty or covered in dust or debris.

If the sensor requires replacement, refer this unit to qualified service personnel.

## 5. Troubleshooting

**Note:** Before diagnosing measurement problems, perform zero and span calibration.

| Symptom                          | Reason & Solution   |
|----------------------------------|---|
| <b>E001</b>                      | <b>Reason:</b> Sensor not installed<br><b>Solution:</b> Install the sensor  |
| <b>E002</b>                      | <b>Reason:</b> Wrong sensor or Sensor EEPROM error<br><b>Solution:</b> Replace sensor   |
| <b>E003</b>                      | <b>Reason:</b> Calibration failure<br><b>Solution:</b> Make sure of standard gas flow and perform recalibration<br>Replace Sensor                         |
| <b>E004</b>                      | <b>Reason:</b> EC sensor zero drift<br><b>Solution:</b> Recalibration   |
| <b>E005</b>                      | <b>Reason:</b> EC sensor exceeds max raw count<br><b>Solution:</b> Call RAE Systems technical support   |
| <b>E006</b>                      | <b>Reason:</b> Wire connection error<br><b>Solution:</b> Check and reconnect wires  |
| <b>E007</b>                      | <b>Reason:</b> Main PCB EEPROM error<br><b>Solution:</b> Check and replace main PCB   |
| <b>Couldn't turn on the unit</b> | <b>Reason:</b> Wrong position of one switch (S3)<br><b>Solution:</b> Check the position of switch S3  |
| <b>Reading abnormally High</b>   | <b>Reason:</b> Calibration failure<br><b>Solution:</b> Recalibration<br>Eliminate/control source of temperature difference                                |
| <b>"Span failure" signal</b>     | <b>Reason:</b> Sensor broken<br><b>Solution:</b> Replace Sensor   |
| <b>Low 4-20mA output</b>         | <b>Reason:</b> Power supply voltage is lower than specified.<br><b>Solution:</b> Check power supply voltage and connection.                               |
| <b>"Err"</b>                     | <b>Reason:</b> Sensor ID is creating an error.<br><b>Solution:</b> Check that the correct sensor is installed. Replace the sensor or update the firmware. |

## RAEGuard<sup>S</sup> EC / LEL / IR User's Guide

**Table A: EC Sensor configuration**

The following table contains specifications for sensors in the RAEGuard<sup>S</sup> EC Series.

| Sensors          | Range (ppm) | Resolution (ppm) | Response Time (T <sub>90</sub> ) | Span (ppm) | Low (ppm) | High (ppm) |
|------------------|-------------|------------------|----------------------------------|------------|-----------|------------|
| CO               | 0-1000      | 1                | <30s                             | 50         | 35        | 200        |
| H <sub>2</sub> S | 0-300       | 0.1              | <20s                             | 25         | 10        | 20         |
| SO <sub>2</sub>  | 0-150       | 0.1              | <30s                             | 5          | 2         | 10         |
| NO               | 0-1000      | 0.5              | <20s                             | 25         | 25        | 50         |
| NO <sub>2</sub>  | 0-50        | 0.1              | <25s                             | 5          | 1         | 10         |
| Cl <sub>2</sub>  | 0-30        | 0.1              | <30s                             | 10         | 0.5       | 5          |
| O <sub>2</sub>   | 0-30%       | 0.1%             | <20s                             | 20.9%      | 19.5%     | 23.5%      |
| ClO <sub>2</sub> | 0-1         | 0.01             | <120s                            | 0.5        | 0.2       | 0.5        |
| NH <sub>3</sub>  | 0-100       | 0.5              | <60s                             | 50         | 25        | 50         |
| PH <sub>3</sub>  | 0-20        | 0.05             | <30s                             | 5          | 1         | 2          |
| HCN              | 0-100       | 0.5              | <200s                            | 10         | 4.7       | 50         |
| ETO              | 0-100       | 0.1              | <80s                             |            |           |            |

## 6. ModBus/RS-485 Information

Retrieving Gas Concentration Data From A RAEGuard<sup>S</sup> Via RS-485

The RAEGuard s communicates by means of MODBUS RTU. All monitors provide a 4-byte register value. **Note:** Gas concentration is the only value that can be retrieved.

As example be low 34 hex = 52 decimal

### Overview

This document describes the modbus protocol used in RAEGuard<sup>S</sup> products.

### 1. Communication Setting

Transmission MODE: RTU

Controller: PC or Controller

Client: RAEGuard<sup>S</sup> EC, LEL, IR

Baud Rate: 4800, 9600, 19200

Client ID: 1 to 99 (0x0001 to 0x0063), except for 58 (0x3A)

### 2. Message Frame/Communications Procedure

RAEGuard<sup>S</sup> EC/LEL/IR only support Function Code 0x03 (read holding registers), which only supports the "Get Reading Value" from the detector.

## RAEGuard<sup>S</sup> EC / LEL / IR User's Guide

### 0x03: Read Holding Registers

#### Requesting Message:

| Device Address | Function Code | Register Address High Byte | Register Address Low Byte | Quantity of Registers High Byte | Quantity of Registers Low Byte | CRC Low Byte | CRC High Byte |
|----------------|---------------|----------------------------|---------------------------|---------------------------------|--------------------------------|--------------|---------------|
| Client ID      | 03            | 00                         | 08                        | 00                              | 02                             | CRC          | CRC           |

#### Answering Message:

| Device Address | Function Code | Byte Count | Register Value       |                     |                   |                  | CRC Low Byte | CRC High Byte |
|----------------|---------------|------------|----------------------|---------------------|-------------------|------------------|--------------|---------------|
| Client ID      | 03            | 04         | Reading Highest Byte | Reading Higher Byte | Reading High Byte | Reading Low Byte | CRC          | CRC           |

Note: The length of data from the detector is 4 bytes.

#### Example:

Request:           01 03 00 09 00 02 14 09  
 Answer:           01 03 04 00 00 00 34 FB E4

**Note:** The maximum distance should be less than 1 km when using a 1.5 mm<sup>2</sup> cable.



Thank you for reading this data sheet.

For pricing or for further information, please contact us at our UK Office, using the details below.



**UK Office**

**Keison Products,**

**P.O. Box 2124, Chelmsford, Essex, CM1 3UP, England.**

**Tel: +44 (0)1245 600560**

**Fax: +44 (0)1245 600030**

**Email: [sales@keison.co.uk](mailto:sales@keison.co.uk)**

Please note - Product designs and specifications are subject to change without notice. The user is responsible for determining the suitability of this product.