



## Rotary evaporators

- Simple, counterbalanced lift mechanism
- PTFE/glass liquid pathway for chemical inertness
- Sparkless induction motor
- Long life graphite impregnated PTFE vacuum seal
- Efficient flask and vapour tube ejection system

Rotary evaporators are distillation units that incorporate an efficient condenser with a rotary flask system. As the flask containing the solvent is rotated it continually transfers a thin layer of liquid over the entire inner surface. This gives a very large surface area for evaporation that is effected by heating from the accessory waterbath (see page 13). They are the ideal tools for many everyday laboratory applications including:-

- Concentration of solutions
- Reclamation of solvents
- Vacuum drying of wet solids
- Degassing liquids

The rotating system is fitted with a special seal that allows the apparatus to be placed under vacuum. This reduces the boiling point of the solvents and removes the vapour phase making the process much more efficient.

See page 14 for details of the vacuum pump.

Each unit is also provided with an easy to use vacuum release and a continuous feed system, which allows more solvent to be drawn into the rotating Florentine flask without the need to stop the operation.

There are three patterns of condenser available depending on the application and space available (see page 11 for full list of components included in each set).

- Rotary evaporator with diagonal glass condenser for standard distillations.
- Rotary evaporator with vertical glass condenser for distillation of solvents with higher boiling points. 20% narrower than RE300 saving space.
- Rotary evaporator with cold finger glass condenser for use with ice or dry ice for volatile or low boiling solvents. No cooling water required. Unique drain to empty the large 1 litre trap very easily.

For each condenser pattern, there is also a plastic coating option for extra safety when using the glassware under vacuum. It acts as a safety screen, contains the glassware pieces and gives the operator sufficient time to transfer any potentially dangerous chemicals to a suitable vessel without spillage.

**See page 114 for guide to solvent evaporation temperatures.**



RE300 & RE300B

# evaporators, rotary

## Glass set 00

Diagonal coil condenser, vapour tube for diagonal condenser, receiving flask 1000ml, Florentine flask 1000ml, feed tube with stopcock, vacuum seal, conical joint clip, spherical joint clip.

## Glass set 01

Vertical coil condenser, vapour tube for vertical condenser, receiving flask 1000ml, Florentine flask 1000ml, feed tube with stopcock, vacuum seal, conical joint clip, spherical joint clip.

## Glass set 02

Cold finger condenser, drain for cold finger condenser, vapour tube for cold finger condenser, receiving flask 1000ml, Florentine flask 1000ml, feed tube with stopcock, vacuum seal, conical joint clip, spherical joint clip.

## Glass set 00P

Diagonal coil condenser plastic coated, vapour tube for diagonal condenser, receiving flask 1000ml plastic coated, Florentine flask 1000ml plastic coated, feed tube with stopcock, vacuum seal, conical joint clip, spherical joint clip.

## Glass set 01P

Vertical coil condenser plastic coated, vapour tube for vertical condenser, receiving flask 1000ml plastic coated, Florentine flask 1000ml plastic coated, feed tube with stopcock, vacuum seal, conical joint clip, spherical joint clip.

## Glass set 02P

Cold finger condenser plastic coated, drain for cold finger condenser, vapour tube for cold finger condenser, receiving flask 1000ml plastic coated, Florentine flask 1000ml plastic coated, feed tube with stopcock, vacuum seal, conical joint clip, spherical joint clip.

## Technical Specification

Speed range	20 to 190rpm
Vacuum	< 1 mm Hg
Lift distance	150mm
Dimensions (w x d x h)	385 x 335 x 470-610mm (excluding glassware)
Electrical supply	220V-240V, 50/60Hz, 50W

## Ordering Information

Model	Description
RE300	Rotary evaporator complete with glass set 00
RE301	Rotary evaporator complete with glass set 01
RE302	Rotary evaporator complete with glass set 02
RE300P	Rotary evaporator complete with glass set 00P
RE301P	Rotary evaporator complete with glass set 01P
RE302P	Rotary evaporator complete with glass set 02P



RE301 & RE300B



RE302 & RE300B

## Glassware accessories and spares



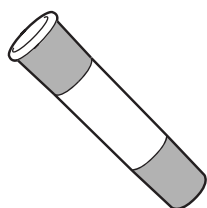
RE200/SA

### Anti splash protector

- Adapter to protect against liquid ingress into the condenser in the event of "bumping". Also useful with liquids which have a tendency to foam. 29/32 cone and socket.

### Ordering Information

Model	Description
RE200/SA	Anti-splash protector



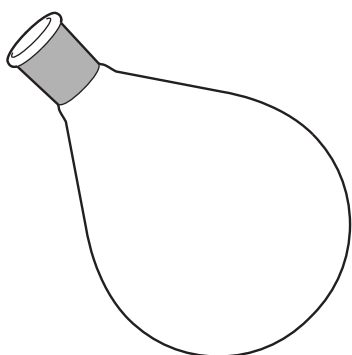
RE100/EA

### Extension adapter for small flasks

- In order for small capacity evaporating flasks to reach the liquid level in the water bath this extension adapter should be fitted between the vapour tube and the flask. 29/32 cone and socket.
- For use with flasks of 50ml or 100ml capacity

### Ordering Information

Model	Description
RE100/EA	Extension adapter



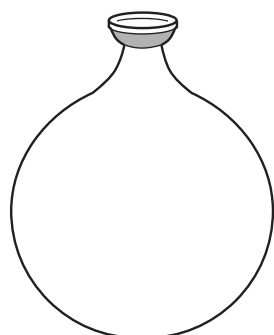
FD:/

### Evaporating (Florentine) flasks

- Florentine type flasks for use with all glassware sets. 29/32 socket.

### Ordering Information

Model	Description
FD50/4RE	Evaporating flask 50ml
FD100/4RE	Evaporating flask 100ml
FD250/4RE	Evaporating flask 250ml
FD500/4RE	Evaporating flask 500ml
FD500/4REP	Evaporating flask 500ml plastic coated
FD1L/4RE	Evaporating flask 1000ml
FD1L/4REP	Evaporating flask 1000ml plastic coated
FD2L/4RE	Evaporating flask 2000ml
FD2L/4REP	Evaporating flask 2000ml plastic coated



RE100/RF:

### Receiving flasks

- Receiving flasks for use with all glassware sets S35 spherical socket.

### Ordering Information

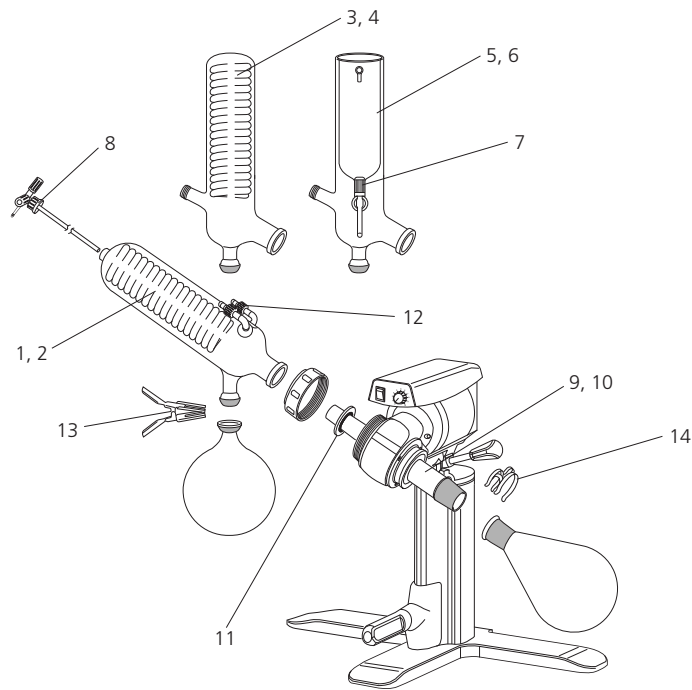
Model	Description
RE100/RF/50	Receiving flask 50ml
RE100/RF/100	Receiving flask 100ml
RE100/RF/250	Receiving flask 250ml
RE100/RF/500	Receiving flask 500ml
RE100/RF/500P	Receiving flask 500ml plastic coated
RE100/RF/1L	Receiving flask 1000ml
RE100/RF/1LP	Receiving flask 1000ml plastic coated

# evaporators, rotary

## Replacement parts for glassware sets

### Ordering Information

Part	Model	Description
1	RE100/CO	Diagonal condenser, glass set 00
2	RE100/COP	Diagonal condenser, plastic coated, glass set 00P
3	RE200/VC	Vertical condenser, glass set 01
4	RE200/VCP	Vertical condenser, plastic coated, glass set 01P
5	RE200/CF	Cold finger condenser, glass set 02
6	RE200/CFP	Cold finger condenser, plastic coated, glass set 02P
7	RE200/CFD	Drain for cold finger condenser, glass sets 02 and 02P
8	RE100/VR	Feed tube/ vacuum release, all glass sets
9	RE100/VT	Vapour tube diagonal condensers, glass sets 00 and 00P
10	RE100/VT/CF	Vapour tube for vertical coil and cold finger condensers, glass sets 01, 01P, 02, 02P
11	RE100/VS	Vacuum seal, all glass sets
12	4510/04	PTFE screwthread connectors, all glass sets, pack of 10
13	JC35	Spherical joint clip for receiving flask, all glass sets
14	KCM29	Metal joint clip for evaporating flask, all glass sets





Thank you for reading this data sheet.

For pricing or for further information, please contact us at our UK Office, using the details below.



**UK Office**

**Keison Products,**

**P.O. Box 2124, Chelmsford, Essex, CM1 3UP, England.**

**Tel: +44 (0)1245 600560**

**Fax: +44 (0)1245 600030**

**Email: [sales@keison.co.uk](mailto:sales@keison.co.uk)**

Please note - Product designs and specifications are subject to change without notice. The user is responsible for determining the suitability of this product.