

LOFLO HOOD & FRAME KIT ASSEMBLY INSTRUCTIONS:

1. Locate the four aluminum channels (fig. 1) for the hood and position them into a square with the foam facing up. Slide the "U" opening on the channel end and corner bracket toward the brass eyelets until you feel it latch.
2. Continue with the other two channels until you have a square frame (fig. 2) that is locked tightly in all four corners.
3. Locate the hood for the frame size you have assembled.
4. Position a corner seam of the hood onto the corner of the frame. Stretch the nylon hood to an adjacent corner until the hood corner meets the frame corner.
5. Push the elastic cord into the channels along the side of the frame.
6. Repeat steps 4 and 5 until the hood assembly is complete and ready to mount onto the base.
7. Place hood on a table or clean floor, place the base of the balometer inside the opening. Pull the hood over the base. Rotate the hood assembly until the metal cups are above the spring-loaded pins. (fig.3)
8. Locate the hood support rods. Extend the hood so it is taut and insert one support rod onto the spring-loaded pin closest to you.
9. Push the support rod down and insert the top end of the rod into the metal cup on the hood frame.
10. Install the rod on the opposite side, then install the last two rods.

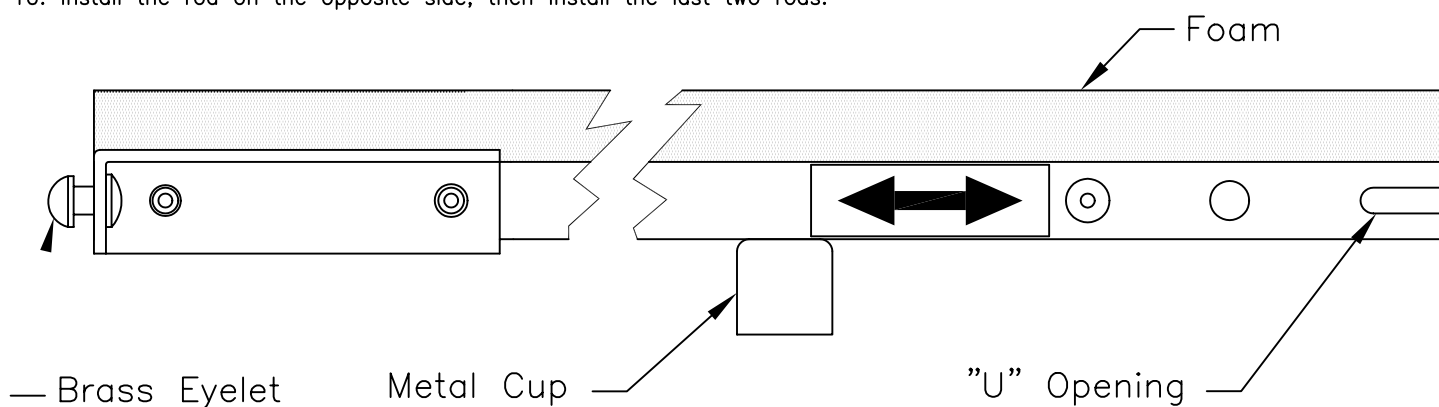


FIGURE 1

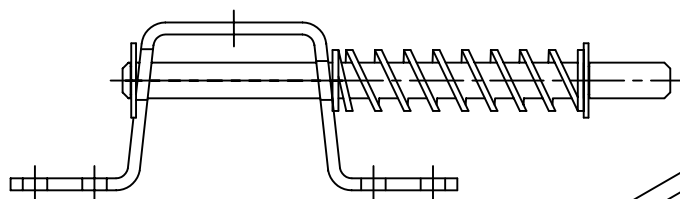


FIGURE 3

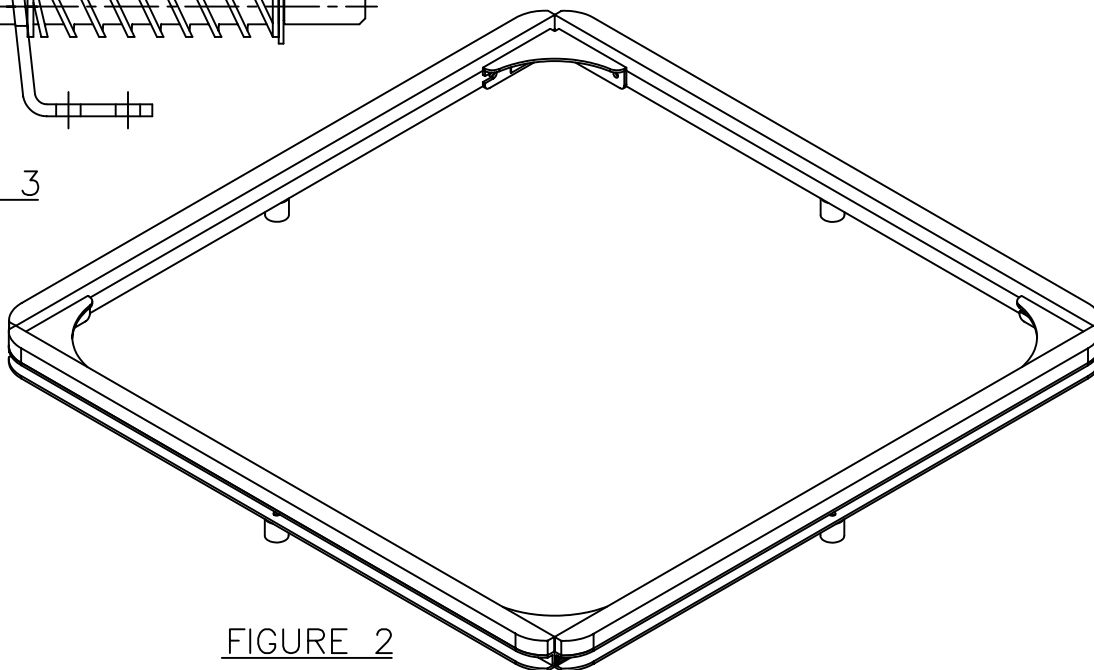


FIGURE 2





Thank you for reading this data sheet.

For pricing or for further information, please contact us at our UK Office, using the details below.



UK Office

Keison Products,

P.O. Box 2124, Chelmsford, Essex, CM1 3UP, England.

Tel: +44 (0)330 088 0560

Fax: +44 (0)1245 808399

Email: sales@keison.co.uk

Please note - Product designs and specifications are subject to change without notice. The user is responsible for determining the suitability of this product.