



**Portable, flexible and interference free toxic gas detection**

# ChemKey™ TLD



## Advantages

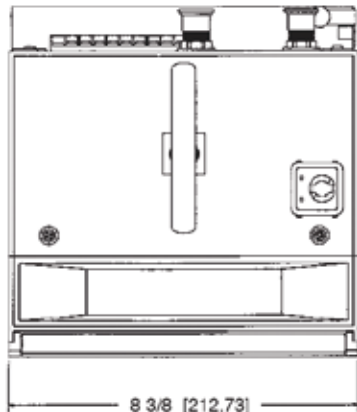
- Portable, flexible and interference free toxic gas detection
- Battery operated or line powered
- Exclusive Chemcassette® detection is gas specific, sensitivity to ppb levels with physical evidence
- Low maintenance and no dynamic gas calibration
- Variety of signals outputs to meet monitoring needs
- Over 50 gases available, ChemKey™ allows switching target gases easily

## Applications

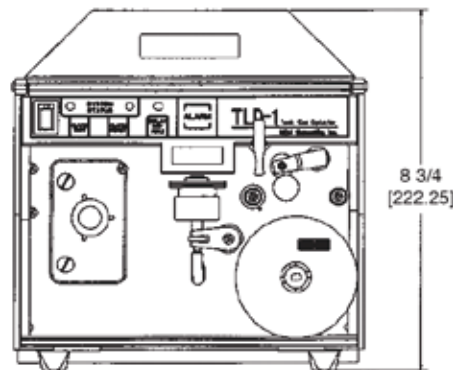
- Emergency response teams
- R & D projects
- Temporary facility monitoring
- Industrial hygiene surveys
- Spill remediation
- Equipment maintenance crews

## Option Available

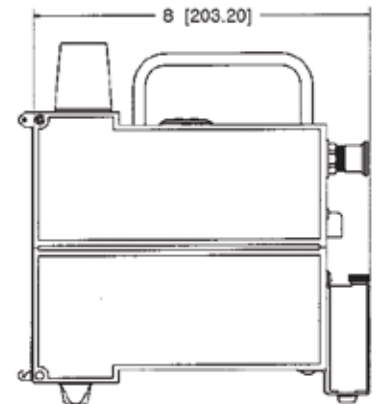
- Strip chart recorders



Top View



Front View



Side View

# Technical Specification



Specification	
<b>Detection Technique</b>	Chemcassette® Detection System
<b>Alarm Point</b>	ChemKey™ Gas Selection System provides multiple alarm set points
<b>Response Time</b>	As fast as 10 seconds
<b>Alarm Indication</b>	Audio and visual alarms
<b>Signal Outputs</b>	SPDT concentration alarm relay; SPDT instrument fault relay (failsafe); 4-20mA; digital display
<b>Operating Temperature Range</b>	32° to 104° F; 0° to 40° C
<b>Power Requirements</b>	Battery (Rechargeable, sealed lead-acid) chargers at 115 VAC, 50/60 Hz or 230 VAC, 50/60 Hz available
<b>Dimensions</b>	61/2"(H) x 83/8"(W) x 7"(D); (16.5 x 21.2 x 17.7 cm)
<b>Weight</b>	Approximately 9 pounds; (4.1 kg)
Detectable gases	Range
<b>Amines</b>	
Ammonia (NH <sub>3</sub> )*	2.6-75.0 ppm
Ammonia (NH <sub>3</sub> )-II	2.6-75.0 ppm
Methylene Dianiline (MDA)	3-60 ppb
n-Butylamine (n-BA)	0.4-12.0 ppm
p-Phenylene Diamine (PPD)	2-60 ppb
Toluene Diamine (TDA)	4-60 ppb
Trimethylamine (TMA)	1.1-30.0 ppm
<b>Diisocyanates</b>	
CHDI, HDI, HMDI, IEM, IPDI, MDI, NDI, PPDi, TDI, TMDI, TMXDI, XDI	2-60 ppb
<b>Hydrazines</b>	
MMH*	21-600 ppb
N <sub>2</sub> H <sub>4</sub>	20-300 ppb
UDMH*	53-1500 ppb
<b>Hydrides</b>	
Arsine (AsH <sub>3</sub> )	15-150 ppb
Diborane (B <sub>2</sub> H <sub>6</sub> )	31-300 ppb
Disilane (Si <sub>2</sub> H <sub>6</sub> )	1.5-15 ppm
Germane (GeH <sub>4</sub> )	141-600 ppb
Hydrogen Selenide (H <sub>2</sub> Se)	20-150 ppb
Phosphine (PH <sub>3</sub> )	32-900 ppb
Silane (SiH <sub>4</sub> )	0.5-15 ppm
Stibine (SbH <sub>3</sub> )	20-300 ppb
tert-Butylarsine (TBA)	15-150 ppb
tert-Butylphosphine (TBP)	60-900 ppb
<b>Hydrogen Cyanide (HCN)*</b>	1.1-30.0 ppm
<b>Hydrogen Sulfide (H<sub>2</sub>S)</b>	1.1-30.0 ppm
<b>Hydrogen Sulfide (H<sub>2</sub>S)</b>	Low Level 1-90 ppb
<b>Mineral Acids</b>	
Hydrogen Bromide (HBr)	0.3-9.0 ppm
Hydrogen Chloride (HCl)	0.5-15.0 ppm
Hydrogen Fluoride (HF)	0.6-9.0 ppm
Nitric Acid (HNO <sub>3</sub> )	0.2-6.0 ppm
Sulfuric Acid (H <sub>2</sub> SO <sub>4</sub> )*	26-750 ppb
<b>Oxidizers</b>	
Bromine (Br <sub>2</sub> )	11-300 ppb
Chlorine (Cl <sub>2</sub> )*	0.1-3.0 ppm
Chlorine (Cl <sub>2</sub> )-II	0.5-1.5 ppm
Chlorine Dioxide (ClO <sub>2</sub> )	11-300 ppb
Hydrogen Peroxide (H <sub>2</sub> O <sub>2</sub> )	0.1-3.0 ppm
Nitrogen Dioxide (NO <sub>2</sub> )	0.3-9.0 ppm
Ozone (O <sub>3</sub> )	31-300 ppb
<b>Phosgene (COCl<sub>2</sub>)</b>	11-300 ppb
<b>Sulfur Dioxide (SO<sub>2</sub>)</b>	0.2-6.0 ppm

\* other ranges available



Thank you for reading this data sheet.

For pricing or for further information, please contact us at our UK Office, using the details below.



**UK Office**

**Keison Products,**

**P.O. Box 2124, Chelmsford, Essex, CM1 3UP, England.**

**Tel: +44 (0)330 088 0560**

**Fax: +44 (0)1245 808399**

**Email: [sales@keison.co.uk](mailto:sales@keison.co.uk)**

Please note - Product designs and specifications are subject to change without notice. The user is responsible for determining the suitability of this product.