



ACR Satellite₃ 406™

406 MHz Emergency Position Indicating Radio Beacon



EPIRB



ACR

Satellite₃ 406™
406 MHz EPIRB

BEACON DECAL HERE
In the USA, the owner of this 406 MHz EPIRB must register the NOAA identification code contained on this product with NOAA:
NOAA SARTSAT Beacon Registration
NSDF, E/SP3
4231 Suitland Road
Suitland, MD 20746
www.beaconregistration.noaa.gov

WARNING: Use only in situations of grave and imminent danger
AVERTISSEMENT: Utilisez seulement durant les situations extrêmement grave et dangereux



Scan With Phone

THE SCIENCE OF SURVIVAL

Background image courtesy of USCG



ACR Satellite₃ 406™

406 MHz Emergency Position Indicating Radio Beacon

The ACR Satellite series has quietly built a strong reputation in the commercial and recreational marine industry. This redesigned workhorse utilizes patented, proprietary electronics package for faster, more stable 406 MHz transmissions to low-earth orbiting LEOSAR satellites. In an emergency, your registered, digitally-coded distress message is broadcast via a powerful 6-watt, 406 MHz signal (typically within 1 hour). An integrated 121.5 MHz homing signal then guides local Search and Rescue (SAR) efforts.

Upgrade to GPS positioning with the optional GPS interface cable (sold separately). This

connects the Satellite 406™ to your vessel's GPS receiver to continuously update and store precise position data. GPS positioning provides SAR notification typically within 2–15 minutes.

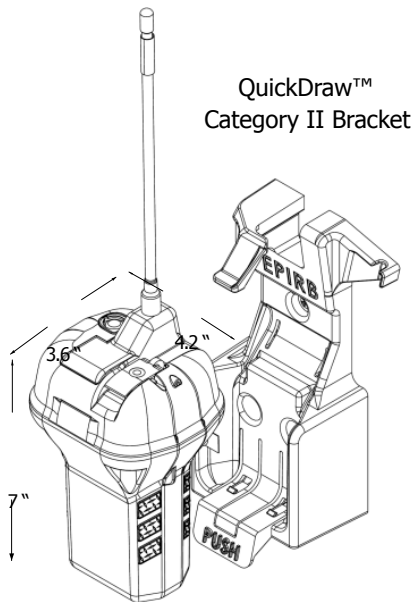
The automatic category I Sea Shelter™ bracket is fully enclosed and is made of high density, UV-stabilized polyethylene for 3 years of extreme abuse, while the manual category II QuickDraw™ has a low profile and is easy to rail mount or secure on deck.

Test your EPIRB through the same satellites used by SAR and receive SMS/email messages with optional 406Link.com non-emergency messaging service.

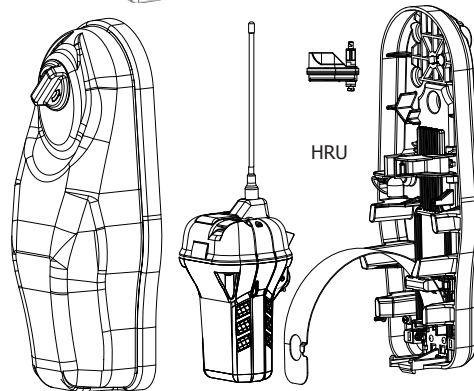
- Full functional self-test including battery voltage and internal circuitry
- Bright LED strobe conserves battery power without sacrificing intensity
- Single, three-position switch for easy test and operation
- Lanyard coiled on recessed spool for nontangling deployment

SPECIFICATIONS

Product Number	2874 Category I, Class 2 2875 Category II, Class 2
Model Number	RLB-38
Size (no antenna)	7.0 X 4.2 X 3.6" (17.7 X 10.7 X 9.1 cm)
Weight	20.8 oz (586 g)
Battery	Class 2 (non-hazmat) lithium batteries
Replacement	Replacement due six (6) years from date of manufacture or five (5) years after beacon is placed into service, whichever is first, or after emergency use
Material	High impact UV resistant polymer
Deployment	Category I-Hydrostatic release (auto) Category II-Manual release
Activation	Out of bracket and wet, or manually
Waterproof	33 ft (10 m) @ 10 min. Exceeds RTCM standard
Output Power	6.3 W (406.037 MHz) 50 mW +/-3dB (121.5 MHz)
Operational Life	48 Hours minimum @ -4°F (-20°C)
Typical	72+ hours @ -4°F (-20°C); Longer in higher ambient temperature
Operating Temp.	-4°F to +131°F (-20°C to +55°C) (Class 2)
Storage Temp.	-30°F to + 158°F (-34°C to +70°C)
Accessories	<ul style="list-style-type: none"> • Sea Shelter₃™ (P/N 9501) • QuickDraw™ (P/N 9507) • Cat I HydroFix™ HRU (P/N 9490) • Optical GPS Interface Cable- Cat II (P/N 9388), Cat I (P/N 9388.1)
Approvals	Cospas-Sarsat, USCG, FCC, IC, MED Acceptances: USCG Meets: GMDSS, RTCM, IEC, and IMO standards
Limited Warranty	5 years



- High Efficiency Electronics
- Audio/Visual Indicators of Active Transmission
- Automatic Activation When out of Bracket and in Water
- Marine Tough Design for Years of Useful Service
- Non-Hazmat Battery
- Made in the U.S.A.
- Lead Free



SeaShelter₃™
Category I Bracket

It is mandatory that you register your EPIRB. It's fast, easy and free www.beaconregistration.noaa.gov. When activated, the unique identification code in your EPIRB is linked to the registration database. This way authorities can retrieve valuable information about you and your trip.

The Satellite 406 is a satellite signaling device of last resort, for use when all other means of self rescue have been exhausted, where the situation is grave and imminent loss of life, limb, eyesight, or valuable property will occur without assistance.





Thank you for reading this data sheet.

For pricing or for further information, please contact us at our UK Office, using the details below.



UK Office

Keison Products,

P.O. Box 2124, Chelmsford, Essex, CM1 3UP, England.

Tel: +44 (0)330 088 0560

Fax: +44 (0)1245 808399

Email: sales@keison.co.uk

Please note - Product designs and specifications are subject to change without notice. The user is responsible for determining the suitability of this product.