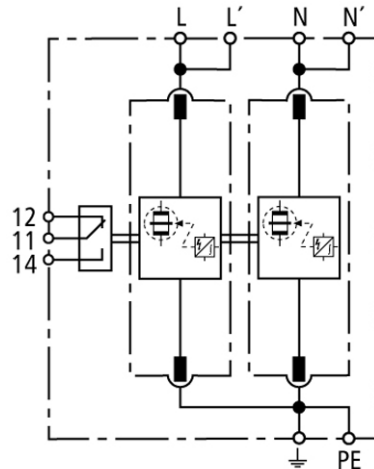


Dimension drawing DV M TN 255 (FM)



Basic circuit diagram DV M TN 255 FM



DV M TN 255 (FM): Modular combined lightning current and surge arrester for single-phase TN systems

- **Prewired combined spark-gap-based lightning current and surge arrester, consisting of a base part and plug-in protection modules**
- **Maximum system availability due to RADAX Flow follow current limitation**
- **No tripping of 20 A gL/gG fuses up to 50 kA_{rms} short-circuit currents**
- **Lightning current discharge capacity: 50 kA (10/350 μs)**
- **Allows for protection of terminal equipment**
- **Fault indication by red mark in the inspection window**
- **Allows for easy replacing of protection modules due to module locking system with releasing button**
- **Tested for vibration- and shock-proofness acc. to EN 60068-2**

DV M TN 255

SPD according to EN 61643-11	Type 1
SPD according to IEC 61643-1	Class I
Nominal a.c. voltage [U _N]	230 V
Max. continuous operating a.c. voltage [U _C]	255 V
Lightning impulse current (10/350 μs) [L+N-PE] [I _{total}]	50 kA
Lightning impulse current (10/350 μs) [L,N-PE] [I _{imp}]	25 kA
Nominal discharge current (8/20 μs) [I _n]	25 / 50 kA
Voltage protection level [L-PE] [U _p]	≤ 1.5 kV
Voltage protection level [N-PE] [U _p]	≤ 1.5 kV
Follow current extinguishing capability a.c. [I _{ff}]	50 kA _{rms}
Follow current limitation/Selectivity	no tripping of a 20 A gL/gG fuse up to 50 kA _{rms} (prosp.)
Response time [t _A]	≤ 100 ns
Max. backup fuse (L) up to I _K = 50 kA _{rms}	315 A gL/gG
Max. backup fuse (L) for I _K > 50 kA _{rms}	200 A gL/gG
Max. backup fuse (L-L')	125 A gL/gG
Temporary overvoltage (TOV) [L-N] [U _T]	440 V / 5 sec.
Operating temperature range (parallel connection) [T _{UP}]	-40°C...+80°C
Operating temperature range (series connection) [T _{US}]	-40°C...+60°C
Operating state/fault indication	green / red
Cross-sectional area (L, L', N, N', PE, ⚡) [min.]	10 mm ² solid/flexible
Cross-sectional area (L, N, PE) [max.]	50 mm ² stranded/35 mm ² flexible
Cross-sectional area (L', N', ⚡) [max.]	35 mm ² stranded/25 mm ² flexible
For mounting on	35 mm DIN rail acc. to EN 60715
Enclosure material	red thermoplastic, UL 94 V-0

Degree of protection	IP 20
Dimension	4 mods., DIN 4
Approvals, Certifications	KEMA, VDE, UL, VdS
Ordering information	
Type	DV M TN 255
Part No.	951 200
Packing unit	1 pcs.

We reserve the right to modify design, technology, dimensions, weights and materials according to technical progress. Illustrations are non-binding. Pictures may differ from the modules described.



Thank you for reading this data sheet.

For pricing or for further information, please contact us at our UK Office, using the details below.



UK Office

Keison Products,

P.O. Box 2124, Chelmsford, Essex, CM1 3UP, England.

Tel: +44 (0)330 088 0560

Fax: +44 (0)1245 808399

Email: sales@keison.co.uk

Please note - Product designs and specifications are subject to change without notice. The user is responsible for determining the suitability of this product.