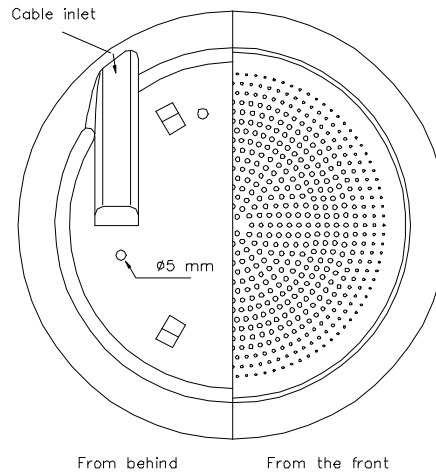
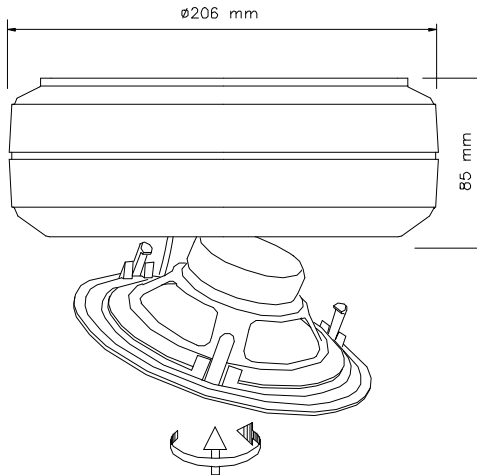




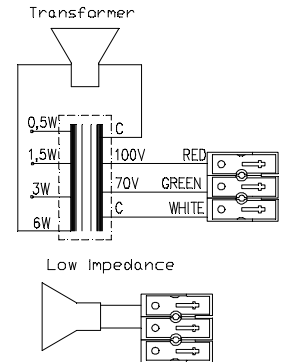
DNH

BLC-550(T)

ISO 9001 CERTIFIED



CIRCUIT DIAGRAM



70/100 Volt combined transformer Primary connections	
White : Green	70 V
White : Red	100 V
Secondary nominal tapings	
C : 6W	6,0 W
C : 3W	3,0 W
C : 1,5W	1,5 W
C : 0,5W	0,5 W

Sound pressure levels at 1W/1m with P5/15T
SPL vs Freq



Specifications

Material / Color	ABS / RAL 9010
Mounting	Screws (max ø5mm)
Termination	Spring clamp
Weight w/transformer	0,93 kg
IP-rating	NA
Max. / min. amb. temp	90°C / -20°C
Rated / max. power	6 W / 6 W
SPL 1W/1m	90 dB
SPL rated power	97 dB
Effective freq. range	140 – 20000 Hz
Dispersion (-6dB) 1kHz / 4kHz	150° / 50°
Directivity factor, Q	NA
Options	Impedances, colors, labels

Installation, Operation and Maintenance Procedures

- Open the loudspeaker by turning the grill counter clockwise.
- Lead cable through cable inlet, connect to terminal (70V or 100V) and select required tapping on transformer.
- Screw the cabinet to the wall or ceiling with 4 screws.
- Screw the loudspeaker front gently clockwise into fixed position
- For optimum performance, always use the correct voltage / power and operate within the frequency limits as stated.
- Do not open loudspeaker when energized.
- This loudspeaker is supplied with a 2 year warranty against defective workmanship.

DNH reserves the right to alter specifications without notice





Thank you for reading this data sheet.

For pricing or for further information, please contact us at our UK Office, using the details below.



UK Office

Keison Products,

P.O. Box 2124, Chelmsford, Essex, CM1 3UP, England.

Tel: +44 (0)330 088 0560

Fax: +44 (0)1245 808399

Email: sales@keison.co.uk

Please note - Product designs and specifications are subject to change without notice. The user is responsible for determining the suitability of this product.