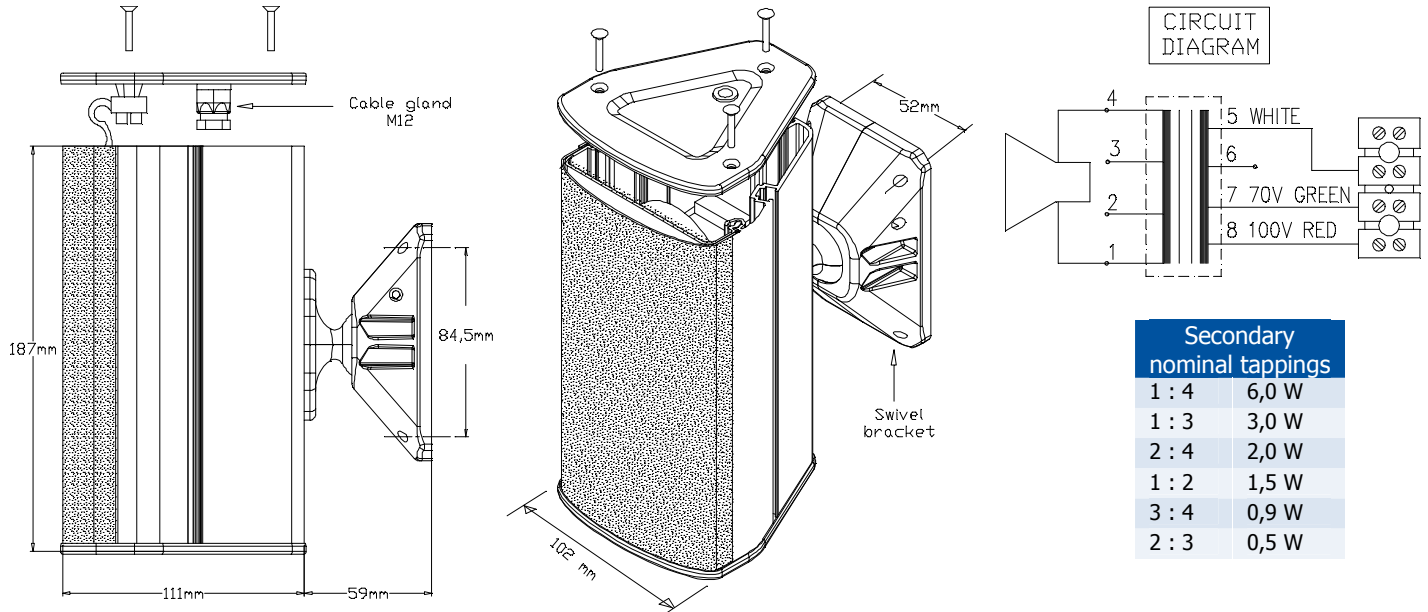




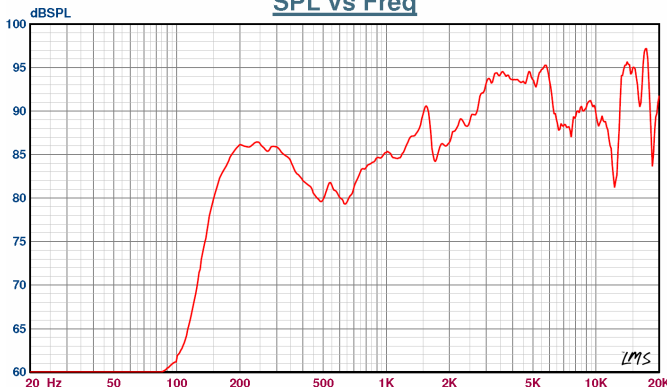
DNH

CAS-6(T)

ISO 9001 CERTIFIED



Sound pressure levels at 1W/1m
SPL vs Freq



Specifications

Material / Color	(Aluminum/PA)/RAL9010 or anodized
Mounting	Swivel bracket
Termination	Inside screw terminals
Weight w/transformer	1,46 kg
IP-rating	54
Max. / min. amb. temp	110°C / -20°C
Rated / max. power	6 W / 10 W
SPL 1W/1m	88 dB
SPL rated power	95 dB
Effective freq. range	130 – 20000 Hz
Dispersion (-6dB) 1kHz / 4kHz	185° / 90°
Directivity factor, Q	NA
Options	Impedances, colors, labels

Installation, Operation and Maintenance Procedures

- Termination side is marked with label.
- Remove lid by 3 screws, lead cable through the cable gland and connect to terminal 70V (white – green) or 100V (white – red).
- Choose required power on the transformer.
- Screw lid back into place by 3 screws with a torque of 1 - 2 Nm to assure the IP rating.
- To mount, slide two M6 nuts in slot and fasten the swivel bracket with two bolts. Slide swivel bracket to wanted position and tighten bolts.
- For optimum performance, always use the correct voltage / power and operate within the frequency limits as stated.
- Do not open loudspeaker when energized.
- This loudspeaker is supplied with a 2 year warranty against defective workmanship.
- Available with an aluminum swivel bracket.

DNH reserves the right to alter specifications without notice





Thank you for reading this data sheet.

For pricing or for further information, please contact us at our UK Office, using the details below.



UK Office

Keison Products,

P.O. Box 2124, Chelmsford, Essex, CM1 3UP, England.

Tel: +44 (0)330 088 0560

Fax: +44 (0)1245 808399

Email: sales@keison.co.uk

Please note - Product designs and specifications are subject to change without notice. The user is responsible for determining the suitability of this product.