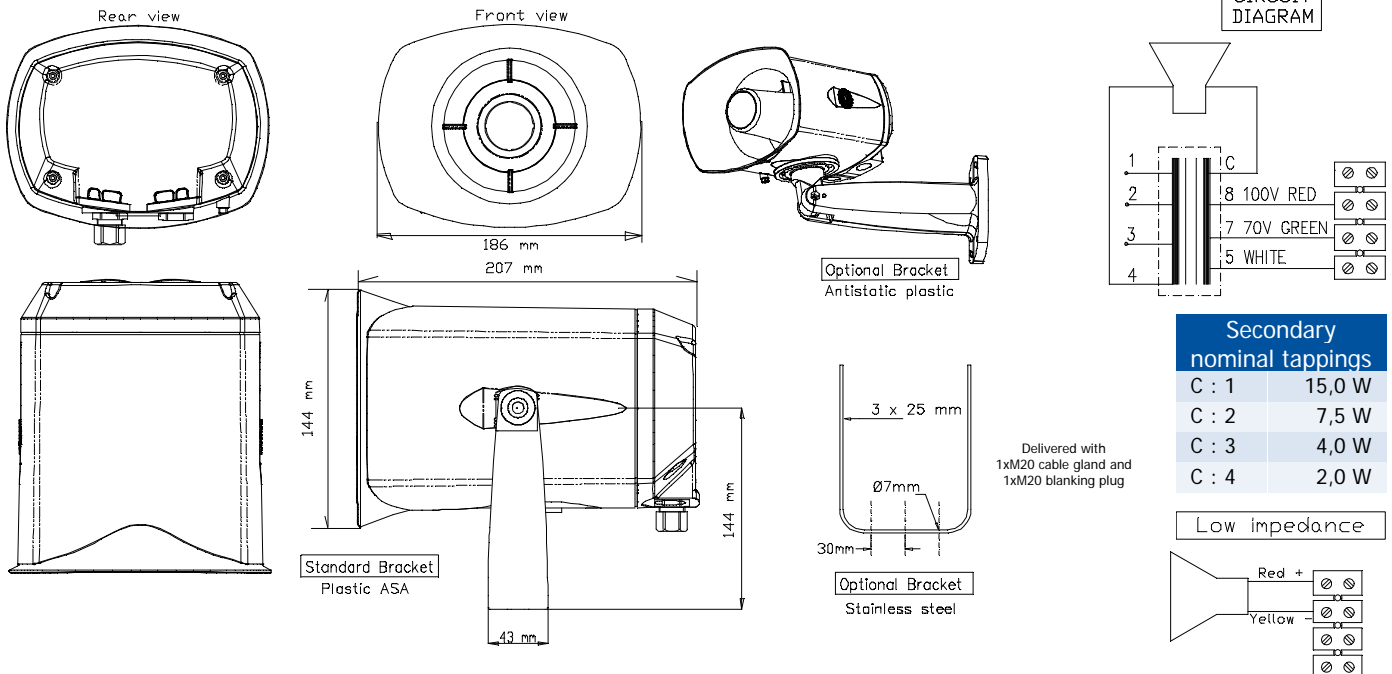




DNH

DSP-15(T)

ISO 9001 CERTIFIED



Sound pressure levels at 1W/1m



Specifications

Material / Color	ASA / RAL 7035
Mounting	Bracket
Termination	screw terminals
Weight w/transformer	1,8 kg
IP-rating	67
Max. / min. amb. temp	90°C / -50°C
Rated / max. power	15 W / 20 W
SPL 1W/1m	106 dB
SPL rated power	117 dB
Effective freq. range	330 – 8000 Hz
Dispersion (-6dB) 1kHz / 4kHz	140° / 40°
Directivity factor, Q	1,8
Options	Impedances, colors, labels

Installation, Operation and Maintenance Procedures

- Remove lid by 4 screws, lead cable through the cable gland and connect to terminal (70V or 100V)
- Select required tapping on the transformer.
- Screw lid back into place by 4 screws with a torque of 1.3 – 1.8 Nm to assure the IP rating.
- To change the position of the loudspeaker, please adjust the standard U- bracket (by loosening / tightening the screws) as required.
- DSP-15(T) can be supplied with 3 different bracket systems, according to customer requirements.
- For optimum performance, always use the correct voltage / power and operate within the frequency limits as stated.
- Do not open loudspeaker when energized.
- This loudspeaker is supplied with a 2 year warranty against defective workmanship.

DNH reserves the right to alter specifications without notice





Thank you for reading this data sheet.

For pricing or for further information, please contact us at our UK Office, using the details below.



UK Office

Keison Products,

P.O. Box 2124, Chelmsford, Essex, CM1 3UP, England.

Tel: +44 (0)330 088 0560

Fax: +44 (0)1245 808399

Email: sales@keison.co.uk

Please note - Product designs and specifications are subject to change without notice. The user is responsible for determining the suitability of this product.