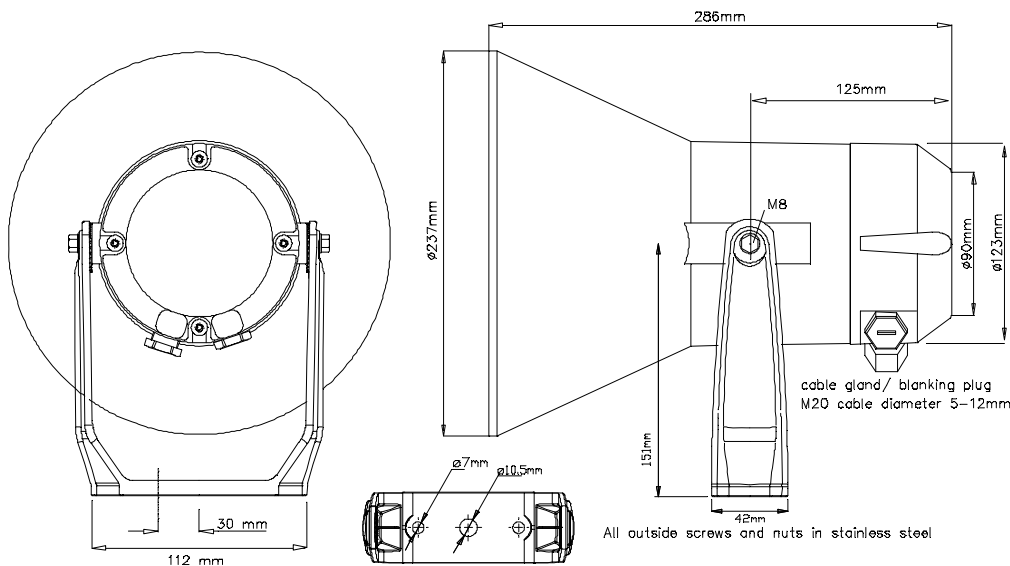




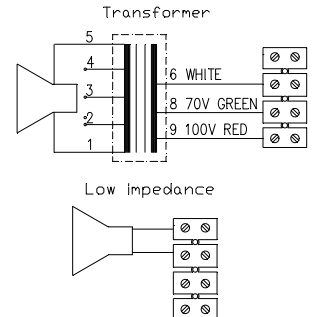
DNH

HP-20(T)

ISO 9001 CERTIFIED



CIRCUIT DIAGRAM



70/100 volt combined transformer	
Primary connections	
White : Green	70 V
White : Red	100 V
Secondary nominal tapings	
1 : 4	20 W
1 : 3	15 W
1 : 2	7,5 W
2 : 4	3,5 W
2 : 3	2,0 W

Sound pressure levels at 1W/1m sine wave

SPL vs Freq



Specifications

Material / Color	Polyamide / RAL 7035
Mounting	Bracket
Termination	Inside screw connections
Weight w/transformer	2,1 kg
IP-rating	67
Max. / min. amb. temp	150°C / -50°C
Rated / max. power	20 W / 25 W
SPL 1W/1m	110 dB
SPL rated power	122 dB
Effective freq. range	310 – 8000 Hz
Dispersion (-6dB) 1kHz / 4kHz	115° / 30°
Directivity factor, Q(2kHz)	9,3
Options	Impedance, colors, labels

Installation, Operation and Maintenance Procedures

- Unscrew lid (4 screws). Lead cable through cable gland and connect to screw terminal (100V or 70V).
- Tapp transformer to wanted power. Tighten cable gland to ensure IP-grade.
- Fasten lid with a torque of 2 Nm.
- Fasten bracket with 1-3 screws.
- To change the position of the loudspeaker, please adjust the bracket (by loosening / tightening the screws) as required.
- For optimum performance, always use the correct voltage / power and operate within the frequency limits as stated.
- Do not open loudspeaker when energized.
- This loudspeaker is supplied with a two years warranty against defective materials and workmanship.

DNH reserves the right to alter specifications without notice





Thank you for reading this data sheet.

For pricing or for further information, please contact us at our UK Office, using the details below.



UK Office

Keison Products,

P.O. Box 2124, Chelmsford, Essex, CM1 3UP, England.

Tel: +44 (0)330 088 0560

Fax: +44 (0)1245 808399

Email: sales@keison.co.uk

Please note - Product designs and specifications are subject to change without notice. The user is responsible for determining the suitability of this product.