

Single hole earth point

Hole size	Length	Weight each	Part No.
M8 x 15mm	80mm	0.14kg	PC100-FU
M10 x 15mm	80mm	0.14kg	PC101
M12 x 15mm	80mm	0.14kg	PC102
M16 x 15mm	80mm	0.14kg	PC103

Stem diameter = 10.7mm (70mm²).



BS 7430

Two hole earth point

Hole size	Length	Weight each	Part No.
M8 x 12mm Supplied c/w front plate for connection of 25mm x 3mm copper tape or 70mm ² stranded copper cable.	80mm	0.44kg	PC115-FU
M8 x 12mm Supplied c/w front plate for connection of 25mm x 3mm copper tape or 8mm diameter solid circular copper.	80mm	0.44kg	PC120
M8 x 12mm Supplied without front plate.	80mm	0.28kg	PC125



BS EN 50164-1 Class H, BS 7430



Tightening torque 8Nm

Four hole earth point

Hole size	Length	Weight each	Part No.
M8 x 14mm	75mm	0.41kg	PC110

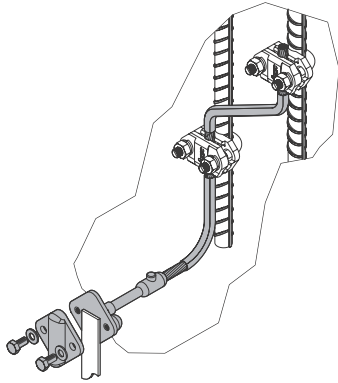
Stem diameter = 10.7mm (70mm²).



BS 7430



Earth points



Earth point with pre-welded tail

Description	Weight each	Part No.
As PC100-FU with prewelded 500mm long tail of 70mm ² PVC insulated earth cable	0.56kg	PC105
As PC101 with prewelded 500mm long tail of 70mm ² PVC insulated earth cable	0.56kg	PC106
As PC102 with prewelded 500mm long tail of 70mm ² PVC insulated earth cable	0.56kg	PC107
As PC103 with prewelded 500mm long tail of 70mm ² PVC insulated earth cable	0.56kg	PC108
As PC110 with prewelded 500mm long tail of 70mm ² PVC insulated earth cable	1.14kg	PC111 [†]
As PC115-FU with prewelded 500mm long tail of 70mm ² PVC insulated earth cable	0.84kg	PC116 [†]
As PC120 with prewelded 500mm long tail of 70mm ² PVC insulated earth cable	0.84kg	PC121
As PC125 with prewelded 500mm long tail of 70mm ² PVC insulated earth cable	0.84kg	PC126-FU

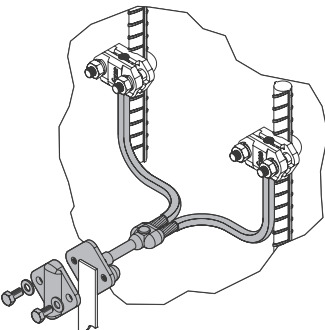
For earth points PC100-FU etc, please see separate datasheet.



BS EN 50164-1 Class H, BS 7430
†UL467 (PC111, PC116)



Tightening torque 8Nm



NEW Earth point with double pre-welded tail

Description	Weight each	Part No.
As PC110 but with 2 x 500mm prewelded long tail of 70mm ² PVC insulated earth cable	1.23kg	PC211 [†]
As PC115-FU but with 2 x 500mm prewelded long tail of 70mm ² PVC insulated earth cable	1.26kg	PC216 [†]
As PC120 but with 2 x 500mm prewelded long tail of 70mm ² PVC insulated earth cable	1.26kg	PC221

For earth points PC110 etc, please see separate datasheet.



BS EN 50164-1 Class H, BS 7430
†UL467 (PC211, PC216)



Tightening torque 8Nm



Thank you for reading this data sheet.

For pricing or for further information, please contact us at our UK Office, using the details below.



UK Office

Keison Products,

P.O. Box 2124, Chelmsford, Essex, CM1 3UP, England.

Tel: +44 (0)330 088 0560

Fax: +44 (0)1245 808399

Email: sales@keison.co.uk

Please note - Product designs and specifications are subject to change without notice. The user is responsible for determining the suitability of this product.