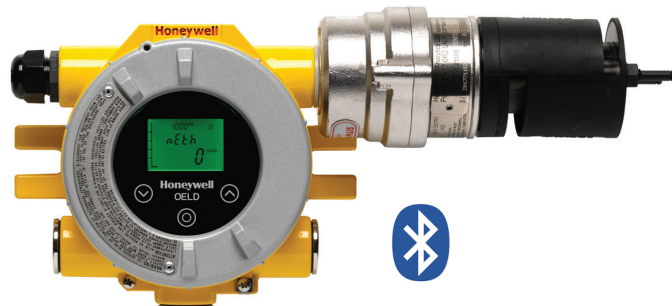


GAS DETECTION OELD

Bluetooth-enabled local display
for Searchline Excel and
Searchpoint Optima Plus



OELD SPECIFICATION

MATERIAL	Marine-grade aluminium alloy or 316 stainless steel with 5-coat painted finish
WEIGHT	Aluminium version 2.3 kg (5 lb), stainless steel version 5.0 kg (11 lb)
DIMENSIONS	159 x 197 x 114 mm (6 ¼ x 7 ¾ x 4 ½ inch)
CABLE ENTRIES	5 x M25 (ATEX/IECEX version) or 5 x ¾" NPT (cULus version). One reserved for sensor connection. 3 blanking plugs supplied for unused entries.
TERMINATION	2 x pluggable rising-clamp type for connection to gas detector and field wiring. Accepts cable sizes of 0.5 to 2.5mm ² , 12 to 28 AWG
STORAGE TEMPERATURE	-40 to +65 °C (-40 to 149 °F)
OPERATIONAL TEMPERATURE	-40 to +65 °C (-40 to 149 °F) -60 to +65 °C (-76 to 149 °F) (CU TR-EX version only)
HUMIDITY	0 to 99% RH (non-condensing)
DISPLAY	LCD module showing digital readout of sensor output, bar chart representation, units of measurement, status icons for alarm, maintenance and active Bluetooth connection. Magnetic switch interface.
CONFIGURABLE DISPLAYED INFORMATION	Displayed information fully user-configurable using the OELD mobile app. Units of measurement selectable from: <ul style="list-style-type: none"> • %LEL, %VOL, ppm, kppm, mg/m³, g/m³ (point detectors) • LEL.m, ppm.m (open path detectors) • mA, A, dB, DBA (other) Gas name (up to 4 alpha-numeric characters) Measurement range
VISUAL INDICATION	Green/yellow/red/blue multi-colour backlit display for indication of detector and OELD status. Green (normal) indication can be disabled via app.
POWER SUPPLY	18 to 32 Vdc (24 Vdc nominal), <2 W
INTERFACES	Bluetooth® (BLE) non-intrusive connection to suitable mobile device running the OELD mobile app. Range up to 10 m (30 feet) (mobile device dependant) Internal RS-485 connection to Searchpoint Optima Plus or Searchline Excel via SHC-1 through the SHC Protection Device 3 switch magnetic interface using the tool provided
COMPATIBLE GAS DETECTORS	Searchpoint Optima Plus. Searchline Excel, Searchline Excel Cross-Duct, generic 4 to 20 mA devices
ENVIRONMENTAL PROTECTION	IP66 / Type 4X (in accordance with NEMA 250)
CORE APPROVALS	EN 50270: 2015 (EMC) IEC/EN/UL/CSA 61010 (Electrical Safety)

OELD SPECIFICATION

ATEX/IECEX (Ex d version)
 DEMKO 16 ATEX 1693X
 IECEX [UL 16.0066X]
 Ⓜ II 2 GD
 Ex db IIC T6
 Ex tb IIIC T85 °C
 Tamb -40 to +65 °C
 EN 60079-29-1 Approved Accessory

ATEX/IECXEx (Ex e version)
 DEKRA 17 ATEX 0006X
 DEK 17.0011X
 Ⓜ II 2 GD
 Ex eb mb [ia] IIC T5 Gb Ex tb IIIC T100 °C
 Tamb -40 to +65 °C
 EN 60079-29-1 Approved Accessory

SAFETY APPROVALS

cULus [E484838]
 Class I, Div 1, A, B, C & D
 Class II, Div 1 F & G, Class III, Div 1
 Tamb -55 to +65 °C
 Temp Code T6
 Class I, Zone 1, AEx d IIC T6
 Class I, Zone 21, AEx tb IIIC T6
 ISA 60079-29-1

CU TR-Ex (Russian Customs Union), Tamb -60 to +65 °C
 Inmetro
 NEPSI+
 PESO+

MARITIME APPROVALS

Type approved to DNV, BV+, Lloyds+, ABS, EN 60945 (EMC) IEC 60092-504

OTHER APPROVALS

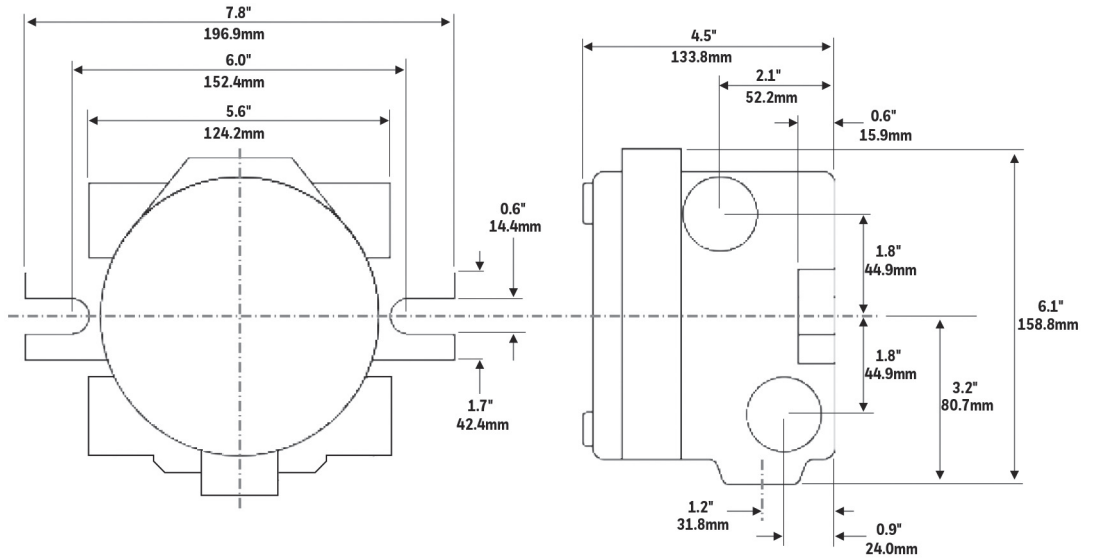
Bluetooth Certified, Radio Equipment Directive (RED), FCC+, country-specific wireless approvals

BLUETOOTH COMMUNICATION SECURITY

Certificate-based mutual authentication
 Encryption to AES128

+Flameproof versions only.

OELD DIMENSIONS



**THE
 FUTURE
 IS
 WHAT
 WE
 MAKE IT**

Honeywell