

T1SP3 Type I Class I Surge Arresters

The T1SP3 is a three phase, type 1 & 2¹ surge arrester, designed for use on the boundary between LPZs 0 & 1² in structures using TNS and TT earthing systems.

The **T1SP3/25/100/230R** is designed for use in structures of LPL I³, such as hospitals, banks, mobile operator stations, water-works, power plants, airport buildings for air traffic control and all structures with an explosive risk.

The **T1SP3/12.5/50/230R** is designed for use in structures of LPL II³, such as industrial and administration buildings, schools, supermarkets and cathedrals.

The device should be fitted as close as possible to the structures' mains entry point.

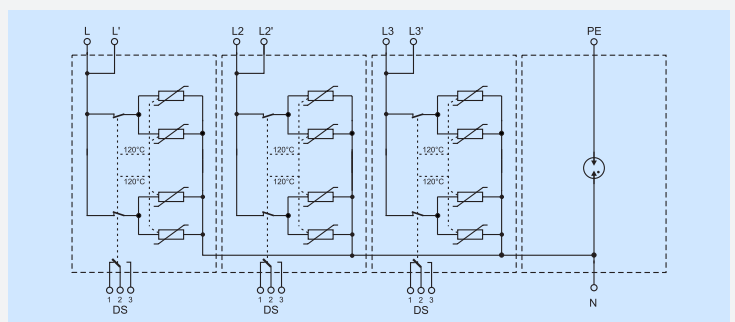
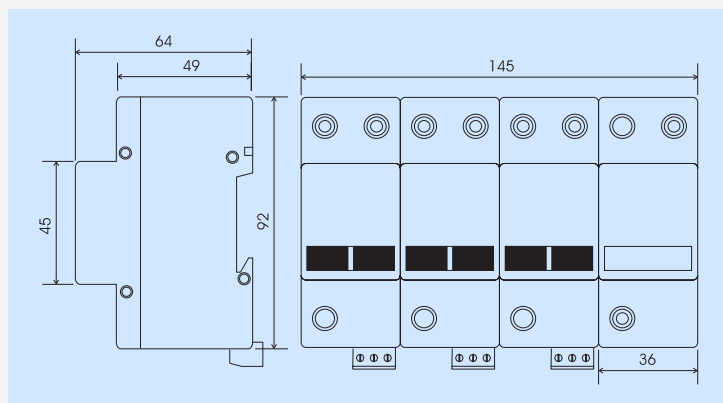
¹ EN 61643-1; ² IEC 1312 & EN 62305; ³ EN 62305



Common Characteristics		
Max. continuous operating voltage	U_c	275 V AC
Temporary overvoltage (TOV), L/N	U_t	335 V/5 sec.
Temporary overvoltage (TOV), N/PE	U_t	1200 V/0.2 sec.
Response time L/N	τ_A	<25 ns
Response time N/PE	τ_A	<100 ns
Max back-up fuse		315 A gL/gG
Max back-up fuse (when 'V' connected)		63 A gL/gG
Short-circuit withstand capability at max. back-up fuse	I_p	80 kA rms
Lifetime		Min 100000 h

Type: T1SP3/12.5/50/230R		
Lightning impulse current (10/350 μ s) L/N - charge	I_{imp}	12.5 kA
- specific energy	Q	6 As
	W/R	36 kJ/ Ω
Lightning impulse current (10/350 μ s) N/PE - charge	I_{imp}	50 kA
- specific energy	Q	25 As
	W/R	625 kJ/ Ω
Total lightning current (10/350 μ s) L1+L2+L3+N \rightarrow PE	I_{total}	50 kA
Max. discharge current (8/20 μ s)	I_{max}	90 kA (L/N) 50 kA (N/PE)
Nominal discharge current (8/20 μ s)	I_n	25 kA
Voltage protection level at I_{imp}	U_p	<1.2 kV
Weight	m	1030 g

Type: T1SP3/25/100/230R		
Lightning impulse current (10/350 μ s) L/N - charge	I_{imp}	25 kA
- specific energy	Q	12.5 As
	W/R	156 kJ/ Ω
Lightning impulse current (10/350 μ s) N/PE - charge	I_{imp}	100 kA
- specific energy	Q	50 As
	W/R	2500 kJ/ Ω
Total lightning current (10/350 μ s) L1+L2+L3+N \rightarrow PE	I_{total}	100 kA
Max. discharge current (8/20 μ s)	I_{max}	120 kA (L/N, N/PE)
Nominal discharge current (8/20 μ s)	I_n	50 kA
Voltage protection level at I_{imp}	U_p	<1.3 kV
Weight	m	1125 g



Remote monitor terminals

The T1SP3 range is fitted with 0v remote terminals for connection to a building management or other indication system.

Under normal operating conditions, remote terminal pins 1-2 are closed and 2-3 are open. If the internal varistor component is damaged as a result of thermal overloading, terminations 1-2 will then be open and 2-3 closed.

Electrical strength – Surrounding circuits	3750 V rms
Electrical strength – Network circuits	3750 V rms
Insulation resistance	$2 \times 10^7 \Omega$
Max. switching current	~ 0.5 A
Max switching voltage	~ 250 V



Thank you for reading this data sheet.

For pricing or for further information, please contact us at our UK Office, using the details below.



UK Office

Keison Products,

P.O. Box 2124, Chelmsford, Essex, CM1 3UP, England.

Tel: +44 (0)330 088 0560

Fax: +44 (0)1245 808399

Email: sales@keison.co.uk

Please note - Product designs and specifications are subject to change without notice. The user is responsible for determining the suitability of this product.