

**3 Way Proportional pressure control valve
G 1/4 or 1/4 NPT and manifold
Nominal orifice 4**

Closed-loop air piloted proportional pressure control valve

High flow

Excellent performance characteristics

Fast response time

Adjustable gain

Adjustable pressure range

Low power consumption

Feedback signal

Manifold mountable

Technical data

Medium:

Compressed air filtered to 5 µm, dry and non-lubricated

Operation:

Air piloted spool valve with integrated electronic pressure control

Output (nominal) pressure:

0 to 2 bar, 0 to 6 bar, 0 to 10 bar (or PSI equivalent)

Supply pressure:

Minimum 2 bar above maximum output required,
14 bar max.

Supply sensitivity:

Better than 0,75% span output change per bar supply
pressure change

Flow:

Up to 1400 N l/min (see characteristic curves)

Air consumption:

< 5 N l/min

Ambient temperature:

0°C to +50°C

Contact our technical service for use below +2°C

Temperature effect:

Typically better than 0,03% of span/°C for span and zero
over operating range

Response time:

< 80 ms (from 10 to 90% of output pressure into a 0,1 litre
load)

Degree of protection:

IP65 in normal operation

Linearity:

< 1%

Hysteresis:

< 1%

Vibration immunity:

< 3% output shift for ± 3 g 10-150 Hz

Weight:

0,63 kg

Materials:

Body: aluminium

Lid and end cover: zinc diecast,
nylon



Electrical parameters

see page 2

Ordering information

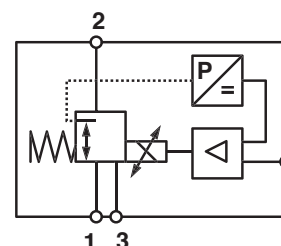
See page 2

Alternative models

ISO 2 manifold version, with adaptor plate

Vacuum version

Low temperature version



Electrical parameters

Electromagnetic compatibility	CE marked: conforms to EC requirements EN 50081-2 (1994) and EN 50082-2 (1995)
Electrical input signal	4 to 20 mA or 0 to 10 V factory set
Electrical power input	24 V d.c. ±25% (power consumption < 1 W)
Output pressure feedback signal	0 ... 10 V full range
Connections	M12x1, 5-pin

Options selector

VP50★★★★★11H00

Control signal	Substitute
0 ... 2 bar/30 psi	02
0 ... 6 bar/90 psi	06
0 ... 10 bar/150 psi	10

Unit for pressure	Substitute
Bar	B
PSI	P

Input signal	Substitute
0 ... 10 V	1
4 ... 20 mA	4



Ports size	Substitute
G 1/4	J
NPT 1/4	K
Manifold	X

Other versions on request

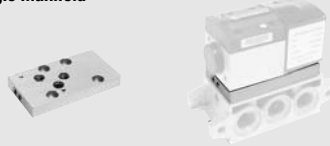
Ordering example

Proportional pressure control valve, output 0-2 bar, port size G1/4, input signal 4 ... 20 mA
 Please note: An wireable straight connector (M12x1, 5-pin) is included
Quote: VP5002BJ411H00

Connecting plugs

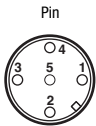
Straight connector M 12 x 1	Elbow connector M 12 x 1
	
page 7	page 7
0523822 (5-pin, 5 m cable, 5 x 0,34 mm ²)	0250081 (5-pin, 5 m cable, 5 x 0,34 mm ²)
-	0250472 (5-pin, 10 m cable, 5 x 0,34 mm ²)
-	0252543 (5-pin, wireable)

Manifold mount assembly to ISO 2 sub base

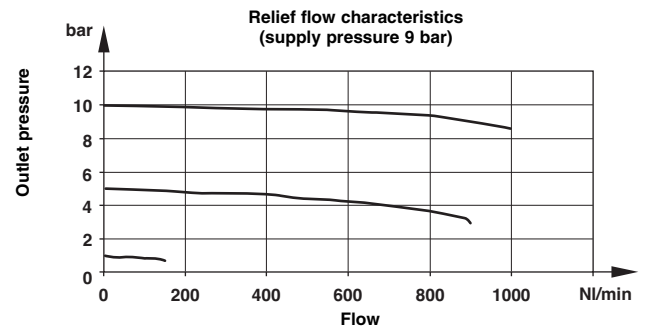
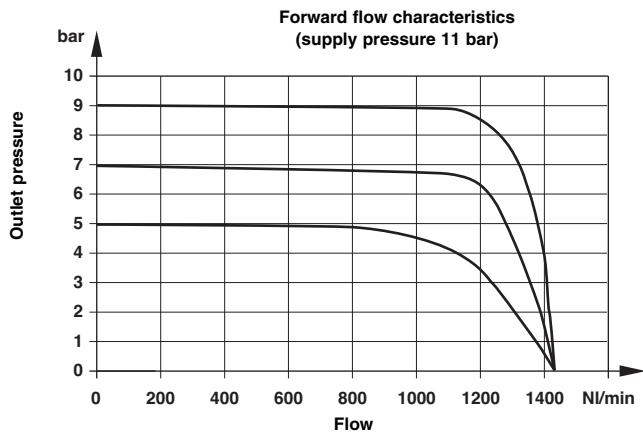
Single manifold

page 4
ZZ5M00
O-rings, flat seal and screws are included

Electrical connector pin looking into the end of the instrument

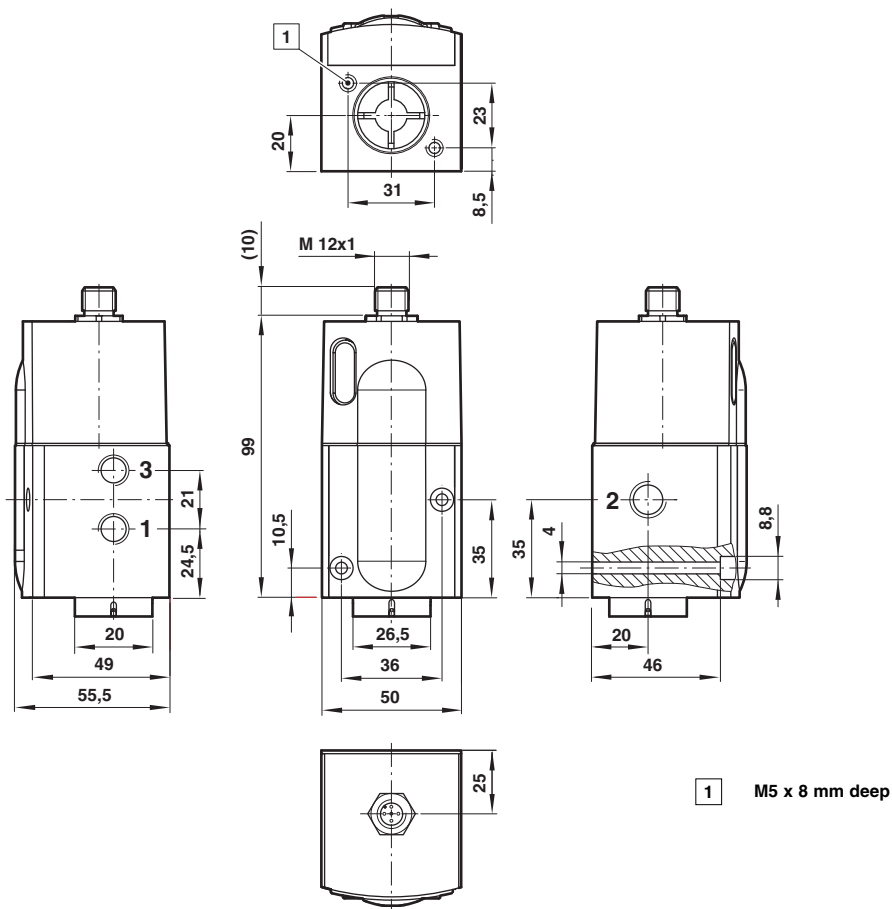
Pin No.	Function
1	+24 V d.c. supply
2	0 ... 10 V feedback
3	Control signal (+VE)
4	Common (supply signal and feedback return)
5	Chassis



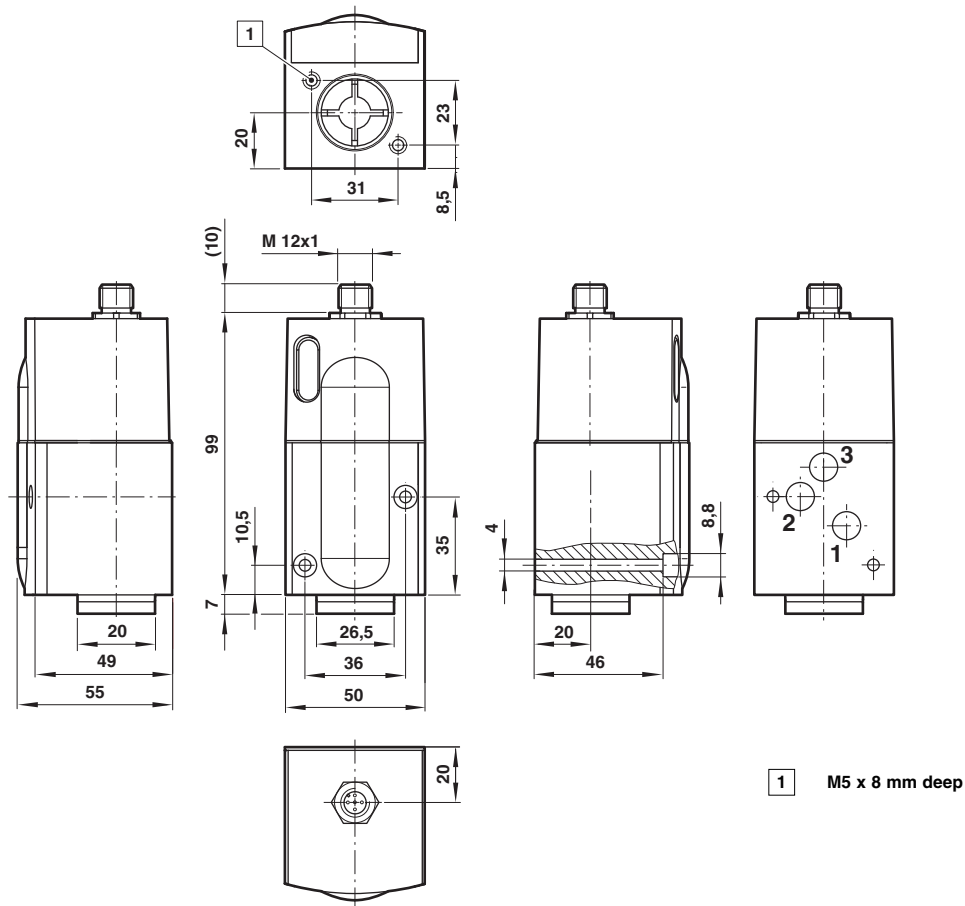
Characteristic curves



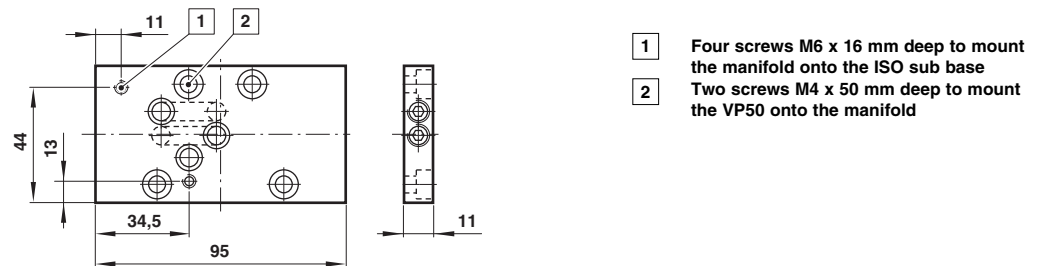
Basic dimensions



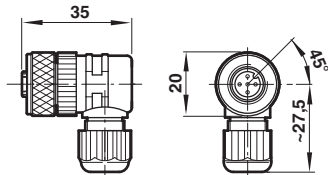
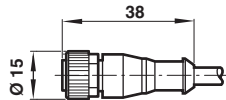
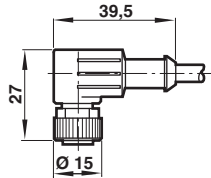
VP50 with manifold surface



Manifold mount assembly to ISO 2 sub base
Included all seals and screws



Connector



Connector, 90°

M12 x 1, 5-pin, female, A coded and
5 m cable length

Model: 0250081

M12 x 1, 5 pin, female, A coded and
10 m cable length

Model: 0250472

Connector, straight

M12 x 1, 5 pin, female, A coded and
5 m cable length

Model: 0523822

Connector, 90°

M12 x 1, 5 pin, female, A coded

Model: 0252543



Thank you for reading this data sheet.

For pricing or for further information, please contact us at our UK Office, using the details below.



UK Office

Keison Products,

P.O. Box 2124, Chelmsford, Essex, CM1 3UP, England.

Tel: +44 (0)330 088 0560

Fax: +44 (0)1245 808399

Email: sales@keison.co.uk

Please note - Product designs and specifications are subject to change without notice. The user is responsible for determining the suitability of this product.